

FEATURES

- Auto-restart
- Smooth and high-efficiency airflow
- Brushless DC
- Polarity protected

RS PRO, 12 V dc, DC Axial Fan, 120 x 120 x 38mm, 178.4m³/h, 6W

RS Stock No.: 541-8361



RS Professionally Approved Products bring to you professional quality parts across all product categories. Our product range has been tested by engineers and provides a comparable quality to the leading brands without paying a premium price.

Product Description

Brought to you by RS PRO, this high-performance ball bearing axial fan offers a cost-effective cooling solution without sacrificing on quality or reliability. With a robust plastic frame and impeller, the fan is perfect for lightweight applications where ventilation and cooling are required. The fan has a brushless DC motor which reduces the chance of overheating while delivering a high-speed high-pressure output.

General Specifications

Air Flow	127CFM
Fan Speed	3000rpm
Static Pressure	0.31in/H2O
Noise Level	47dB
Direction of Curve	Forward
Frame	PBT UL94V-0 Plastic
Impeller	PBT UL94V-0 Plastic
Alarm Function	No
Special Features	Dual Ball Bearing
IP Rating	IP44
Applications	Server racks, Electrical cabinets and enclosures; Production Lines, Ceiling fan/ventilation Desktop computers, Motor engines (radiator in a car), Generators, Air compressors

Electrical Specifications

Motor	Brushless DC, Auto Restart, Polarity Protected
AC or DC Operation	DC
Power Consumption	6W
Supply Voltage	12VDC
Rated Voltage	12VDC
Maximum Current	500mA
Dielectric Strength	1 second at 500 VAC, max leakage – 500 MicroAmp
Insulation Resistance	10M ohm between lead wire and frame (500VDC)

Mechanical Specifications

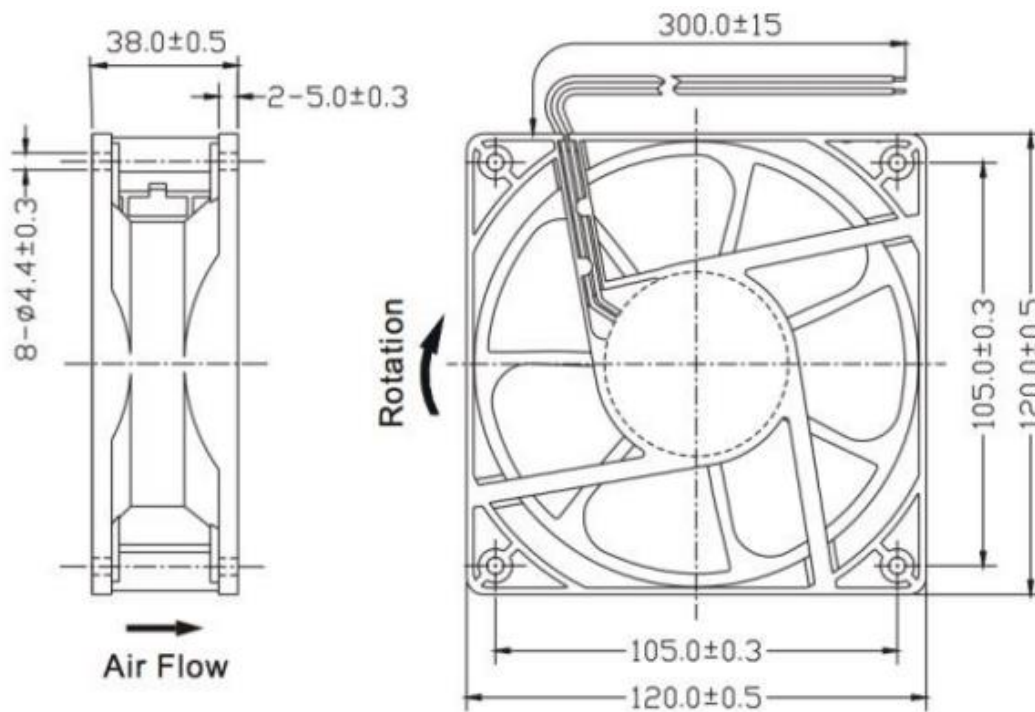
Dimensions	120mm x120mm x38mm
Height	120mm
Width	120mm
Depth	38mm
Bearing Type	Ball
Life Expectancy	65,000 hours (L10 at 45°C)

Operation Environment Specifications

Operating Temperature	-20°C to 75°C
------------------------------	---------------

Approvals

Compliance/Certifications	UL, cUL, TUV, CE, UL94-V0
----------------------------------	---------------------------

**Drawing(mm):**

RS Order Number	5418361	5415132	5415126	5415407	5415384	5415378
Model Number	OD1238-12HB	OD1238-12MB	OD1238-12LB	OD1238-24HB	OD1238-24MB	OD1238-24LB
Nominal Voltage	6~14 VDC	6~14 VDC	6~14 VDC	12~28 VDC	12~28 VDC	12~28 VDC
Volts	12 DC	12 DC	12 DC	24 DC	24 DC	24 DC
Nominal Current	0.60 A	0.40 A	0.25 A	0.40 A	0.30 A	0.20 A
Rated Speed (RPM)	3000	2400	2000	3000	2400	2000
Airflow (CFM)	127	101	84	127	101	84
Noise Level (dB)	47	41	37	47	41	37
Max. Static Pressure	0.31" H2O	0.21" H2O	0.15" H2O	0.31" H2O	0.21" H2O	0.15" H2O