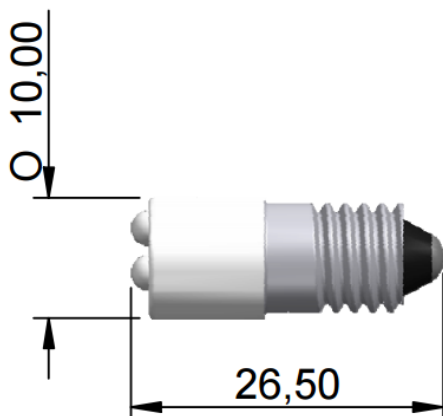


Datasheet

LED Indicator Lamp

RS ITEM NO 211-594



LED/Multiled	LED	Optimum voltage (V)	24vac/dc	Intensity	3x2070mcd
Mounting Size	10x25mm	Rectifier	Half Wave		
Mounting Finish	E10	AC current	9mA		
Protection		DC current	17mA (max)		
Mount Holder	E10	Voltage Tolerance(%)	10%		
Chip Qty	3	Optimum temperature (°C)	-30°C...+60°C		
Indicator colour	White	Storage temperature (°C)	-30°C...+60°C		
Wavelength (nm)		Contact Tab x 2	E10 Cap		



*Dimension in mm (typical), not to scale.
We reserve the right to make changes without further notice to this product to improve reliability, function or design.*