

Datasheet

PCB Transformers – open type – Flame retardant

RS PRO

The PCB mounting mains Transformers 3VA to 20VA are high quality safety isolating short circuit proof transformers designed for use in general applications. Designed according to the following specifications

- One short thermal fuse in primary providing overload and short circuit protection
- Flame retardant materials to UL94-V0
- The two independent secondary windings may be connected in series for double voltage or in parallel to give double current
- Full varnish impregnation
- Fully shrouded bobbins
- Double section metric bobbin for class II construction providing double or reinforced insulation with the shrouds
- 100% electrical and flash tested

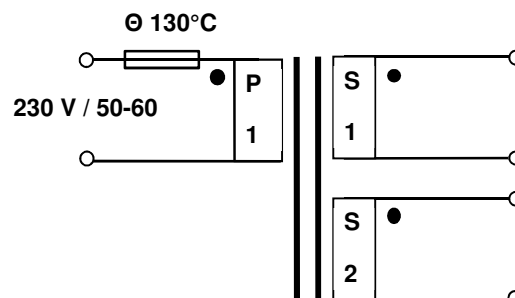


Specifications

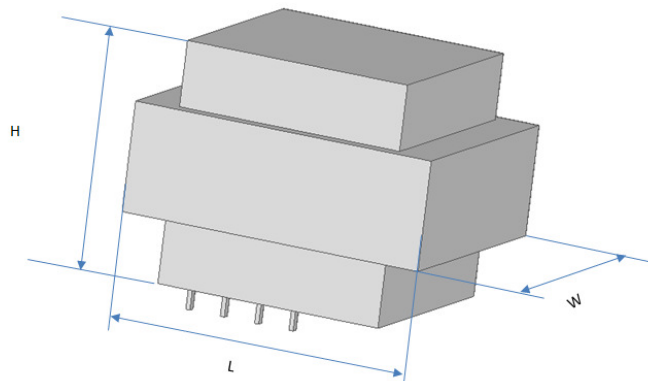
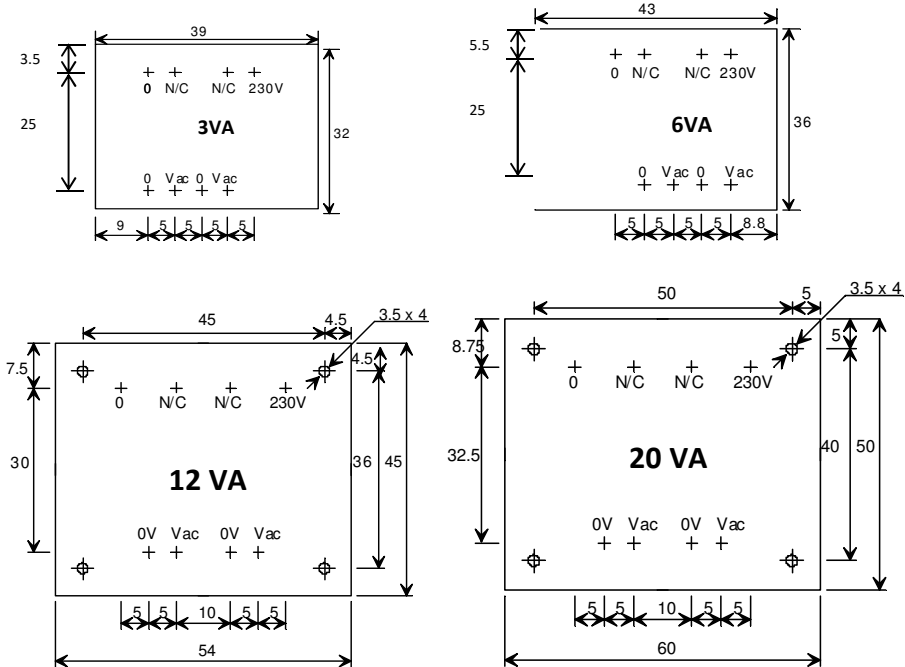
Power:	3 – 20 VA
Frequency:	50 / 60 Hz
Primary:	230 VAC, +/-10%
Secondary:	2 Parallel
Isolation:	4 kV RMS
Temp class:	B (130°C)
Protection cl.:	IP00
According to:	BS/EN 61558-1, AS/NZS 61558.1, BS/EN 61558-2-6 and AS/NZS 61558.2.6 IEC 61558-1, IEC 61558-2-6



Schematic:



Pin layout and dimensions:



Power	Overall Size	Weight	Efficiency
[VA]	L x W x H [mm]	[kg]	%
3	39x30x35	0.14	>63%
6	43x36x33	0.18	>77%
12	54x41x45	0.4	>82%
20	60x54x42	0.5	>80%

Ordering details:

RS Stock number	Power VA	Specification	No-load voltage	According to
504458	3	PCB mount Transformer, open type, 230V / 2x6V	7.9 V	IEC61558-2-6 / EN61558-2-6
504408	3	PCB mount Transformer, open type, 230V / 2x9V	11.6 V	IEC61558-2-6 / EN61558-2-6
504410	3	PCB mount Transformer, open type, 230V / 2x12V	16.45 V	IEC61558-2-6 / EN61558-2-6
504404	3	PCB mount Transformer, open type, 230V / 2x15V	20.0 V	IEC61558-2-6 / EN61558-2-6
504420	6	PCB mount Transformer, open type, 230V / 2x6V	8.2 V	IEC61558-2-6 / EN61558-2-6
504414	6	PCB mount Transformer, open type, 230V / 2x9V	12.3 V	IEC61558-2-6 / EN61558-2-6
504707	6	PCB mount Transformer, open type, 230V / 2x12V	16.3 V	IEC61558-2-6 / EN61558-2-6
504717	6	PCB mount Transformer, open type, 230V / 2x15V	20.4 V	IEC61558-2-6 / EN61558-2-6
504713	12	PCB mount Transformer, open type, 230V / 2x6V	7.0 V	IEC61558-2-6 / EN61558-2-6
504723	12	PCB mount Transformer, open type, 230V / 2x9V	10.4 V	IEC61558-2-6 / EN61558-2-6
504729	12	PCB mount Transformer, open type, 230V / 2x12V	14.0 V	IEC61558-2-6 / EN61558-2-6
504678	12	PCB mount Transformer, open type, 230V / 2x15V	17.4 V	IEC61558-2-6 / EN61558-2-6
504701	20	PCB mount Transformer, open type, 230V / 2x6V	7.1 V	IEC61558-2-6 / EN61558-2-6
504688	20	PCB mount Transformer, open type, 230V / 2x9V	10.6 V	IEC61558-2-6 / EN61558-2-6
504684	20	PCB mount Transformer, open type, 230V / 2x12V	14.0 V	IEC61558-2-6 / EN61558-2-6
504763	20	PCB mount Transformer, open type, 230V / 2x15V	17.8 V	IEC61558-2-6 / EN61558-2-6