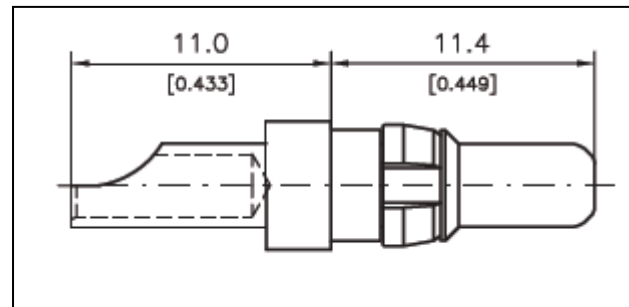


Datasheet

High Power pin 8-12awg Contact 40A

RS Stock number [311-5767](#)

Dimension (mm/Inch):



Description:

Power/Coaxial Contacts

A range of Contacts designed for use in mixed layout Connector shells including Power, Coaxial and High Voltage types.

PCB holes for coax plug and socket: 4 holes 1.3mm dia. on 5.08mm ctrs, plus centre hole 1.3mm dia.

PCB mounting inserts are not suitable for use with right angle PCB connectors.

PCB holes for 20A and 40A PCB contacts are 2.85mm and 3.75mm respectively.

Snap-fit contacts removed with tool, stock no. 485-221

'M' DIN41612 connectors may also be used with mixed layout D shells

50 Ohm Coaxial contacts (straight) accept RG178B/U & RG174A/U cables. Use crimp tool (stock no. 470-099) for the braid and solder for the centre contact. Contacts removed with tool, stock no. 485-221

RS, Professionally Approved Products, gives you professional quality parts across all product categories. Our range has been testified by engineers as giving comparable quality to that of the leading brands without paying a premium price.

Note:

Gender details relate to centre conductor

Mixed Contact 'D'

Mixed contact connectors suitable for making combined signal and power connections. Plug and socket options with solder bucket or 90° PCB terminations. Shell definition: 17W2 shell can have 17 mixed contacts in total. Shell is supplied with 15 signal contacts and has 2 cavities for power or coaxial contacts. Suitable for military, industrial or commercial applications and computer interfacing etc.