



Datasheet

RS PRO Heat Sink Enclosure Model EAB

Stock number: 188-1256

EN



Designed for both professional users and home hobbyists alike, EAB features extruded aluminum heatsink side panel.

Features

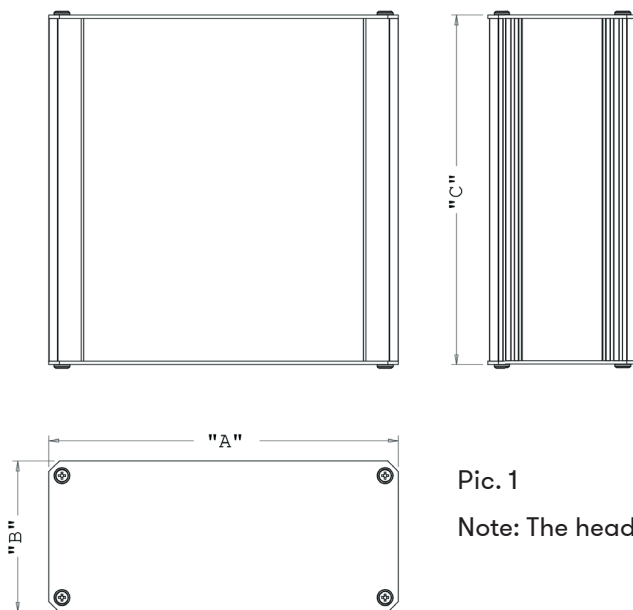
- Extruded heavy duty aluminum (AL6063) side frames provide high efficiency cooling and strength.
- Multiple sizes for any application.
- Suitable for wide range of Electronics & Instrument applications.
- Simple and easy to assembly.
- Black powder coat standard color.

Standards and Materials

- Conforms to IEC-60297-3.
- Premium grade aluminum sheet: AL 5052 and extrusion: AA 6063 (Aluminum Alloy).
- Designed and manufactured under ISO 9001:2015 and ISO 14001:2015.
- All materials RoHS compliant.



Models and Dimensions



Pic. 1

Note: The head of screw M5x10 Phillips is 2.00 mm thick.

Pic. 1 Table

For side frame 1U and 2U

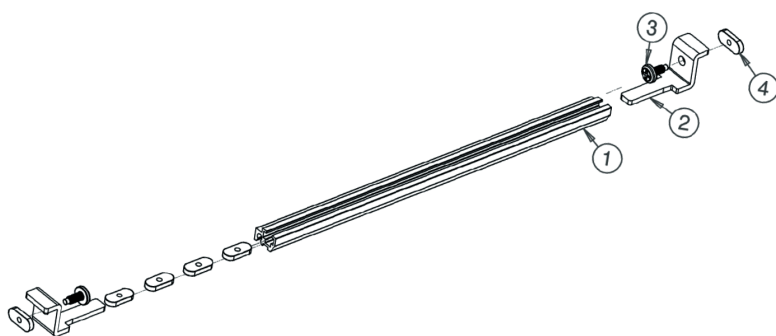
| No. | Model | Dimension unit mm. | | | Net Weight (kg) | Shipping Weight (kg) |
|-----|-------------------|--------------------|-----|-----|-----------------|----------------------|
| | | "A" | "B" | "C" | | |
| 1 | EAB 1.0-100W-200D | 100 | 41 | 200 | 0.45 | 0.49 |
| 2 | EAB 1.0-100W-300D | 100 | 41 | 300 | 0.62 | 0.67 |
| 3 | EAB 1.0-100W-400D | 100 | 41 | 400 | 0.78 | 0.86 |
| 4 | EAB 1.0-200W-200D | 200 | 41 | 200 | 0.63 | 0.78 |
| 5 | EAB 1.0-200W-300D | 200 | 41 | 300 | 0.92 | 1.04 |
| 6 | EAB 1.0-200W-400D | 200 | 41 | 400 | 1.18 | 1.32 |
| 7 | EAB 1.0-300W-200D | 300 | 41 | 200 | 0.88 | 1.00 |
| 8 | EAB 1.0-300W-300D | 300 | 41 | 300 | 1.23 | 1.38 |
| 9 | EAB 1.0-300W-400D | 300 | 41 | 400 | 1.57 | 1.73 |
| 10 | EAB 2.0-100W-200D | 100 | 86 | 200 | 0.58 | 0.62 |
| 11 | EAB 2.0-100W-300D | 100 | 86 | 300 | 0.79 | 0.85 |
| 12 | EAB 2.0-100W-400D | 100 | 86 | 400 | 1.00 | 1.08 |
| 13 | EAB 2.0-200W-200D | 200 | 86 | 200 | 0.85 | 0.93 |
| 14 | EAB 2.0-200W-300D | 200 | 86 | 300 | 1.15 | 1.40 |
| 15 | EAB 2.0-200W-400D | 200 | 86 | 400 | 1.45 | 1.59 |
| 16 | EAB 2.0-300W-200D | 300 | 86 | 200 | 1.12 | 1.24 |
| 17 | EAB 2.0-300W-300D | 300 | 86 | 300 | 1.50 | 1.72 |
| 18 | EAB 2.0-300W-400D | 300 | 86 | 400 | 1.89 | 2.05 |

Description:

1. Side Frame
2. Top/Bottom Cover
3. Front/Rear Panel
4. Umbrella Phillips Screw M5-10 (Dog Point)
5. Rubber Feet

Quantity

- [2]
[2]
[2]
[8]
[4]

General Purpose Bar Kit [GP Bar] option**GP Bar Profile**

GP Bar Large side: GP Bar L
for EAB3.0, EAB4.0, EAB5.0 and
EAB6.0



GP Bar Small side: GP Bar S
for EAB1.0 and EAB2.0

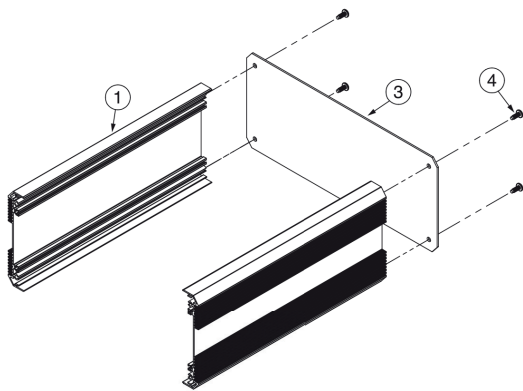
GP Bar Kit (L or S) consist of

Quantity

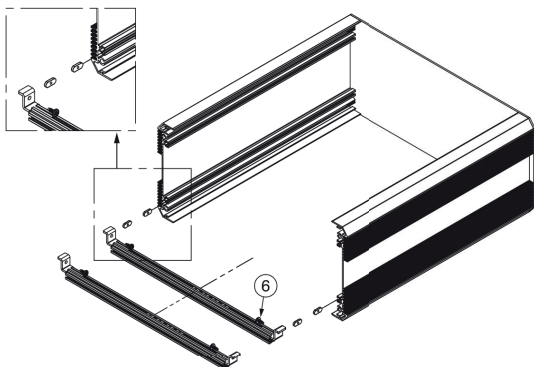
- | | |
|---------------------------------------------|------|
| 1. GP Bar (L or S) | [2] |
| 2. GP Bracket | [4] |
| 3. Umbrella Phillips Screw M3-6 (Dog Point) | [4] |
| 4. Nut OB M3 | [12] |

Note: GP Bar length relates to width [“A” dimension] when you order please tell us GP Bar profile and the width such as “GP-S Bar 100W or GP-L Bar 200W”.

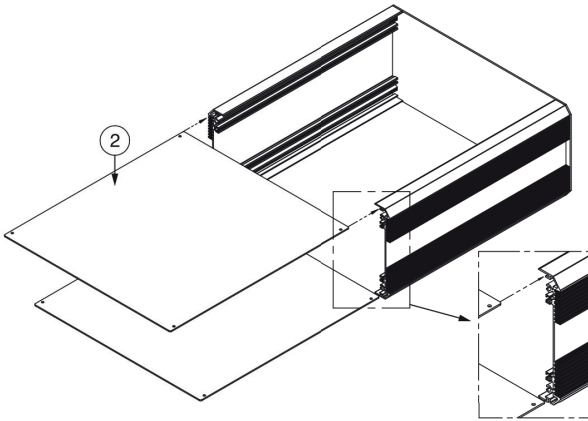
User should prepare all component assemblies and complete any modifications (drilling/punching holes) before assembly.



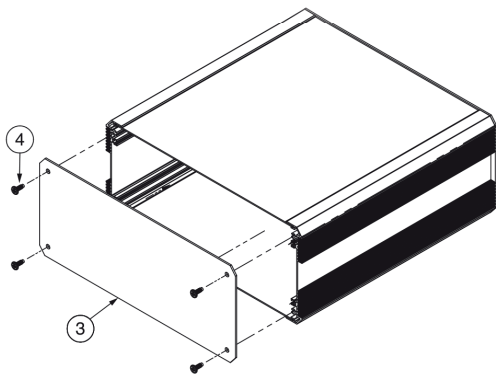
1. Install ③ front/rear panel to ① side frame and secure with ④ Umbrella Phillips Screw M5-10 (Dog Point).



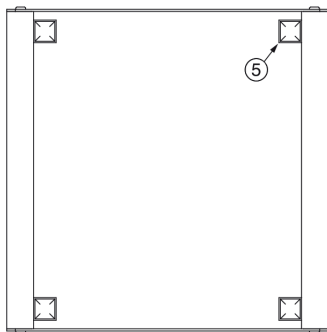
2. Install ⑥ GP Bar Kit [option] into the slide rail slot in side frame and secure with GP Bar position by Umbrella Phillips Screw M5-10 (Dog Point). We advise to install user components at this stage. Our GP Bar Kits are ideal for this purpose, but user can prepare their own method.



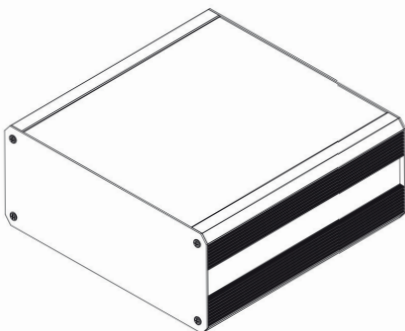
3. Slide the ② top/bottom covers into the side frame slots.



4. Install ③ front/rear cover and secure with Umbrella Phillips Screw M5-10 (Dog Point).



5. Place the ⑤ rubber feet 4 pcs. At the bottom side of EAB box.
*clean surface before placing rubber foot.
Isopropyl Alcohol 70% is recommended



6. Completed Assembly

Specifications

| Attribute | Value |
|---------------------|------------------------------------|
| Product 188-1257 | EAB 1.0-200W-400D |
| External Width | 200mm |
| External Depth | 400mm |
| External Height | 41mm |
| External Dimensions | 200 x 400 x 41 |
| Body Material | Aluminum Extrusion |
| IP Rating | IP40 |
| Color | Black |
| Lid Color | Black |
| Flanged | No |
| Shielded | No |
| Gasket Material | No |
| Standard Met | ROHs Compliant |
| Application | Electrical, Electronic, Industrial |