



ENGLISH

Datasheet

4P DIN Cable Jack Push Locking

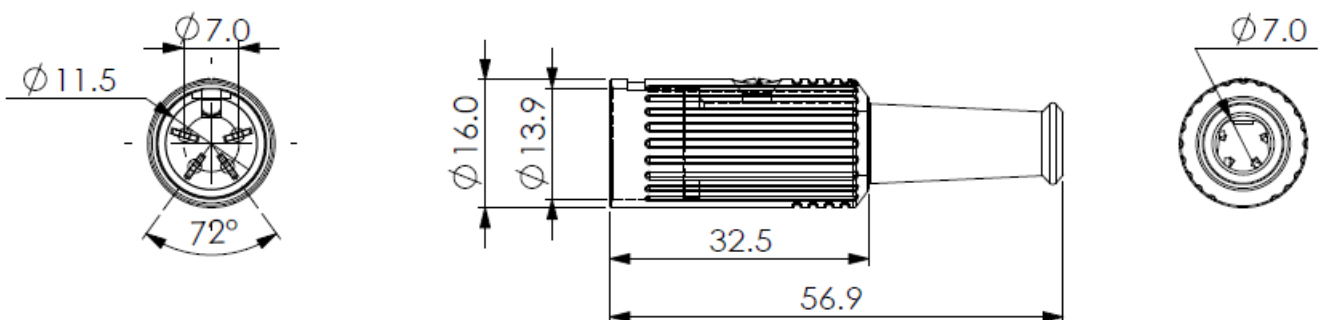
RS Stock number 491-194

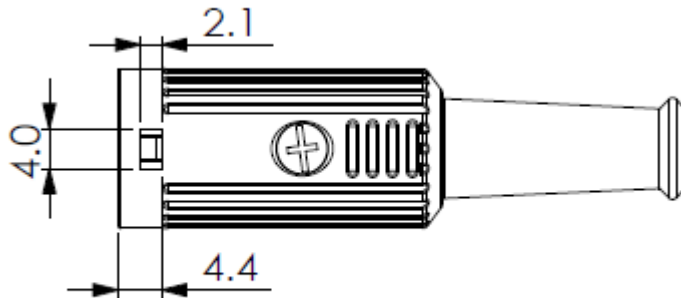


Specifications:

| | |
|------------------------|--|
| Rating: | 100V AC 4A max. |
| Contact Resistance: | pins-30m Ω max; shell-50m Ω max. |
| Insulation Resistance: | 100M Ω min. at 500V DC |
| Dielectric Strength: | 250V AC R.M.S. for 1 minute |

Dimensions(mm)





| No. | Description | Material | Treat |
|-----|--------------|----------|-------------|
| 1 | Shield Cover | Zn Alloy | Nickel Ptd. |
| 2 | Strain Boot | PVC | |
| 3 | 'T' Holder | Steel | Nickel Ptd. |
| 4 | Setscrew | Steel | Nickel Ptd. |
| 5 | Terminals | Brass | Silver Ptd. |
| 6 | Housing | ABS | |