

## FEATURES

- Weatherproof (IP67)
- Easy to install and quick to operate
- Robust and sturdy
- Able to handle heavy duty use
- Operating voltage 12~24Vdc (Selectable)
- Stainless Steel housing
- Holding force up to 1200lbs (545Kg)
- Weather resistant: IP67
- Sealed electronics

## RS PRO Single Door Access Control Door Magnet, 1200lb Holding Force 12Vdc, 24V dc

RS Stock No.: 774-8235



RS Professionally Approved Products bring to you professional quality parts across all product categories. Our product range has been tested by engineers and provides a comparable quality to the leading brands without paying a premium price.

## Product Description

With an impressive holding force of up to 1200lbs, our high quality RS PRO range presents this stainless steel strong and durable magnetic lock. Able to remotely monitor a doors lock or un-lock status with quick operation. Application includes security doors, laboratories, building entrances or any other environment where remote door operation is needed via door magnets.

## General Specifications

<b>Door Type</b>	Single Door
<b>AC or DC Operation</b>	DC
<b>Failure Mode</b>	No
<b>Application</b>	Machine Mechanisms, Door/Guard Locking & Remote Hold/Release Requirements

## Electrical Specifications

<b>Supply Voltage</b>	12Vdc, 24V dc
<b>Current Draw</b>	460mA at 12Vdc (at temperature 20°C)
<b>Voltage Tolerance</b>	±15%

## Mechanical Specifications

<b>Holding Force</b>	1200lbs(545kg)
<b>Depth</b>	40mm
<b>Height</b>	62mm
<b>Length</b>	220mm
<b>Width</b>	220mm
<b>Weight</b>	5kg Approx.

## Operation Environment Specifications

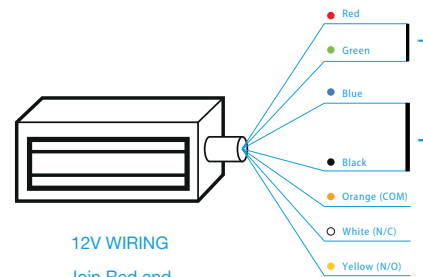
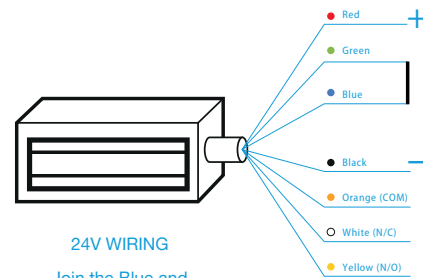
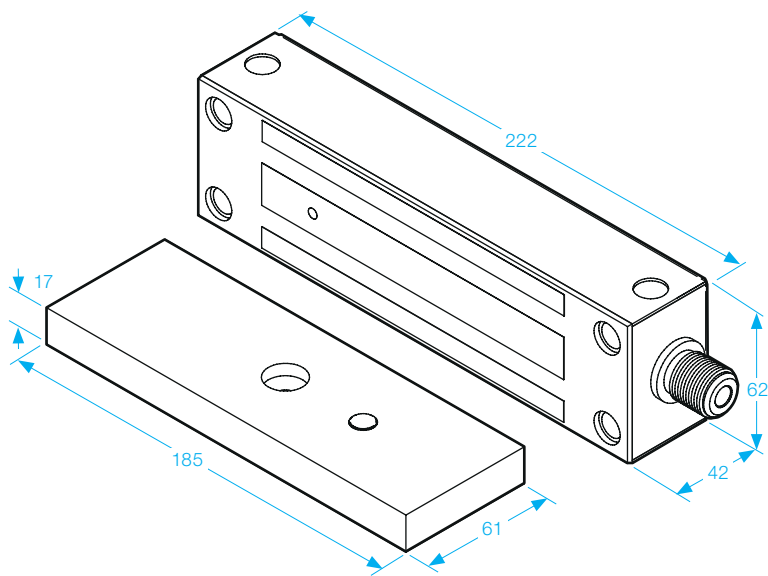
<b>Ambient Working Temperature</b>	-10 to 55°C
<b>Lock's Surface temperature</b>	Current temperature $\pm 20\%$ (when power is on)

## Protection Category

<b>IP Rating</b>	IP 67
------------------	-------

## Approvals

<b>Compliance/Certifications</b>	RoHS Certificate Of Compliance
----------------------------------	--------------------------------



### SPECIFICATION

- Voltage tolerance:  $\pm 10\%$ .
- Current draw: 420mA at 12Vdc, 210mA at 24Vdc (at temperature 20°C).
- Operating temperature: -10~55°C (14 to 131°F).
- Lock's surface temperature: Current temperature  $\pm 20\%$  (when power is on).
- Humidity: 0~95% non-condensing.
- Weight: 3.7kg (approx).
- Magnetic bond sensor monitor output remotely monitors the door lock or unlock status. (N.C. Output-Door opened; N.O. Output-door closed) (SPDT rated 0.25A at 12Vdc).



WEATHER RESISTANT  
- IP 67 -



STAINLESS STEEL