

Outdoor Metal Enclosure Kit multicomp^{PRO}

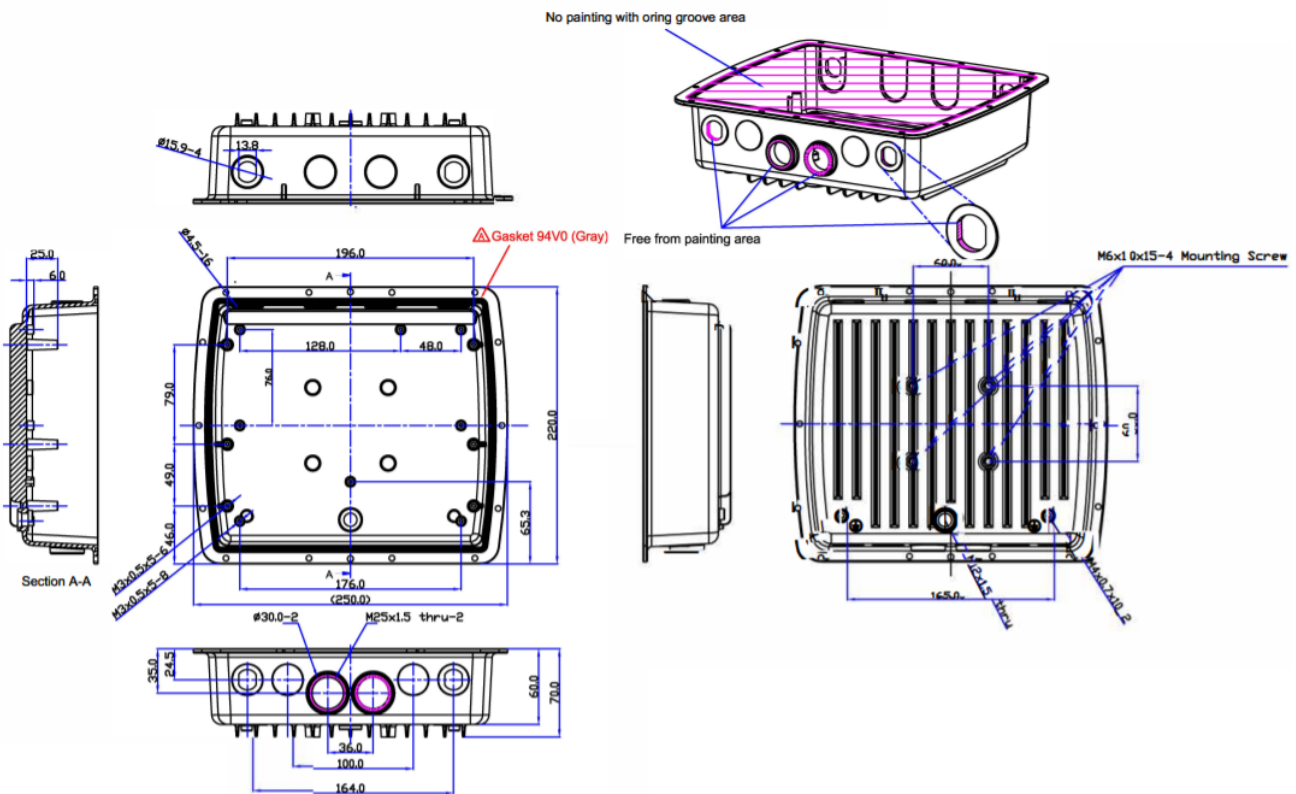
RoHS
Compliant



Kit Contents

- Enclosure with Gasket only
- Vent Plastic M12X1.5 Black_UL 94V0(f1)
- GLB M-Smart interchangeable mounting bracket (M25x2)
- Premium enclosure Lid

Enclosure with Gasket only



Dimensions : Millimetres

Note:

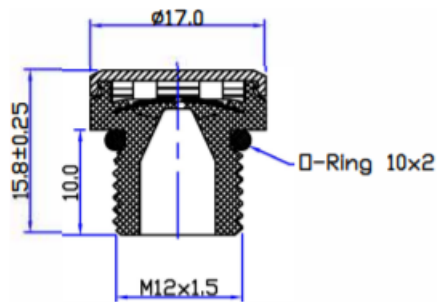
- (1) Material : Aluminum Alloy ADC-12.
- (2) Finish : Surtec 650, Salt spray duration 96hrs.
- (3) Painting : Power Coating ML513T.
- (4) Oring groove area must free from painting.

Newark.com/multicomp-pro
Farnell.com/multicomp-pro
sg.element14.com/b/multicomp-pro

multicomp^{PRO}

Outdoor Metal Enclosure Kit **multicomp** PRO

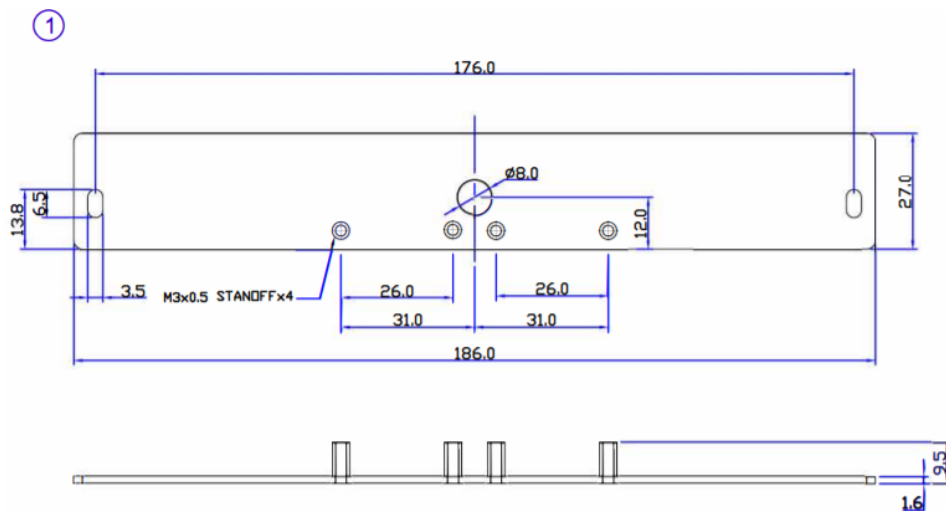
Vent Plastic M12X1.5 Black_UL 94V0(f1)



Note:

- (1) Material : Plastic PA6, UL94V0 (f1), Colour Black
- (2) O-ring : Silicone 50° Shore A, UL94V0

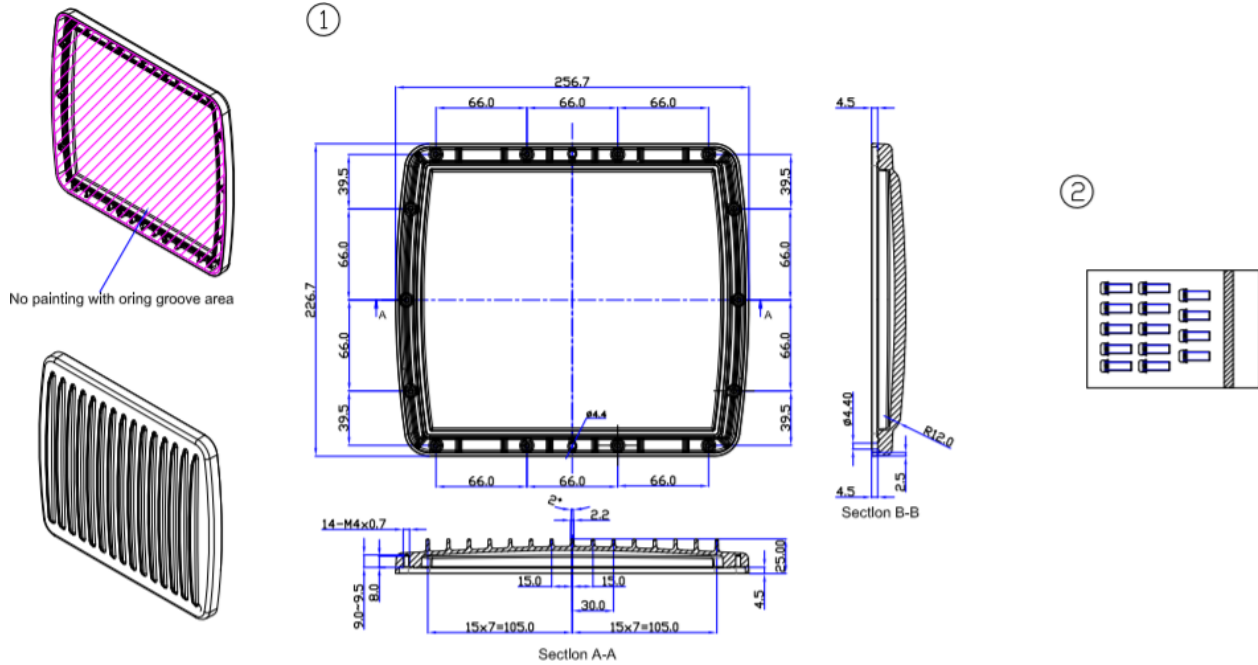
GLB M-Smart interchangeable mounting bracket (M25x2)



Dimensions : Millimetres

Outdoor Metal Enclosure Kit **multicomp**PRO

Premium enclosure Lid



Note:

- (1) Material : Aluminum Alloy ADC-12.
- (2) Finish : Surtec 650, Salt spray duration 96hrs.
- (3) Painting : Power Coating ML513T.
- (4) Oring groove area must free from painting.

Dimensions : Millimetres

Part Number Table

Description	Part Number
Outdoor Metal Enclosure Kit	MPGTT-ACC-P016-GLB03-ML-M-SA Kit

Important Notice : This data sheet and its contents (the "Information") belong to the members of the AVNET group of companies (the "Group") or are licensed to it. No licence is granted for the use of it other than for information purposes in connection with the products to which it relates. No licence of any intellectual property rights is granted. The Information is subject to change without notice and replaces all data sheets previously supplied. The Information supplied is believed to be accurate but the Group assumes no responsibility for its accuracy or completeness, any error in or omission from it or for any use made of it. Users of this data sheet should check for themselves the Information and the suitability of the products for their purpose and not make any assumptions based on information included or omitted. Liability for loss or damage resulting from any reliance on the Information or use of it (including liability resulting from negligence or where the Group was aware of the possibility of such loss or damage arising) is excluded. This will not operate to limit or restrict the Group's liability for death or personal injury resulting from its negligence. Multicomp Pro is the registered trademark of Premier Farnell Limited 2019.

Newark.com/multicomp-pro
 Farnell.com/multicomp-pro
 sg.element14.com/b/multicomp-pro

multicompPRO