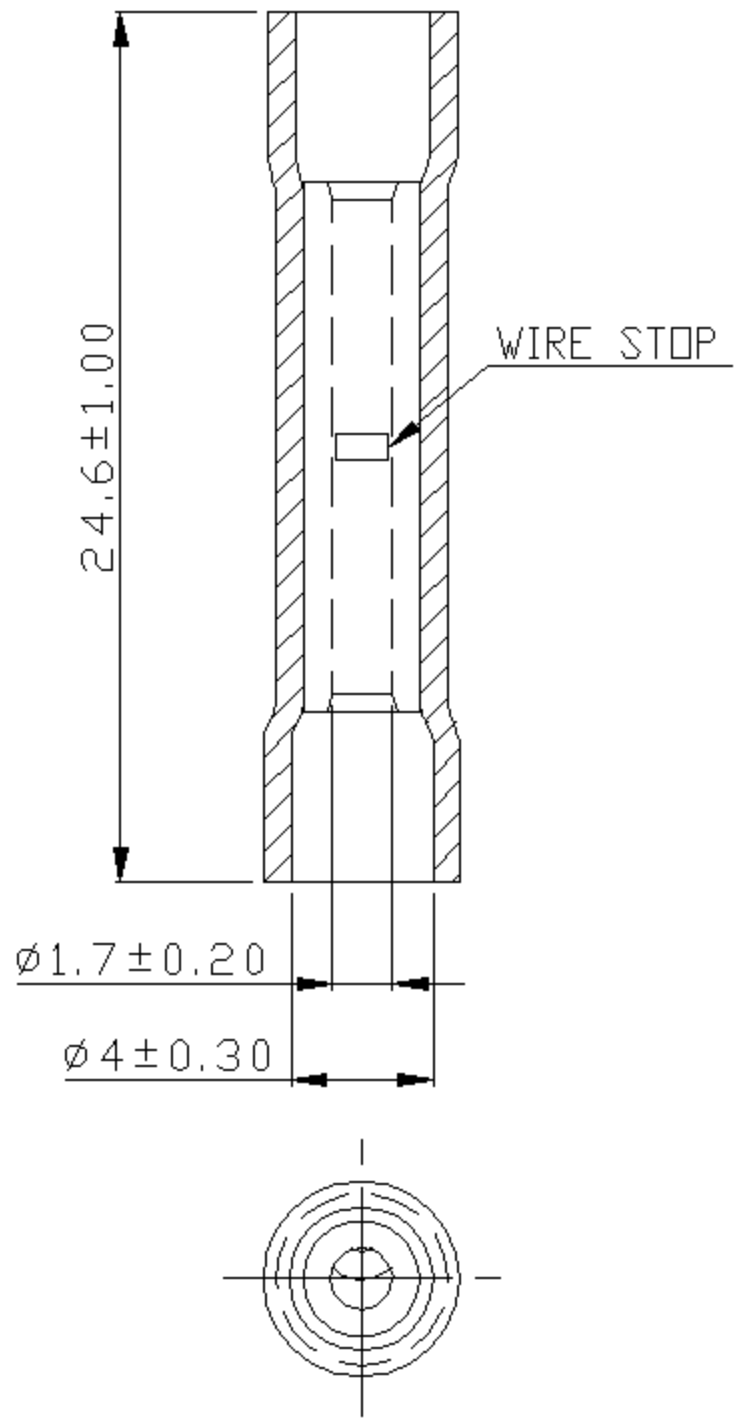


A B C D E F G H

REV	DESCRIPTION	DATE
-----	-------------	------



- NOTE:
1. MAXIMUM ELECTRIC CURRENT : 

A.W.G.	26	24	22	20	18	16
AMP.	5.5	7	9	12	17	18
  2. MAXIMUM ELECTRICAL RATING : 75°C 600 VOLTS MAX.
  3. INSULATION MATERIAL : VINYL
  4. INSULATION COLOR : RED
  5. CONNECTOR MATERIAL : COPPER TUBULAR
  6. WIRE RANGE : 26-16 A.W.G.( 0.5-1.5 mm<sup>2</sup>)
  7. TERMINALS SURFACE TREATMENT : TIN PLATED

Tolerance Unless Otherwise Specified	
0 > 6 mm ± 0.20	ANGLE
6 > 18 mm ± 0.30	0° REF ±
18 > 30 mm ± 0.40	±
30 > 75 mm ± 0.50	±



NAME	VINYL-INSULATED BUTT SPLICE CONNECTORS			UNIT	mm	
PART NO.	BVT1	MATERIAL	-----	APPROVE	張馨尹	
NUMBER	KA-95823-C	SCALE	SHEET	PAGE	CHECKED	楊駿孝
DATE	2006/07/14	3/1	1-0	10F1	DRAWN	張馨尹

A B C D E F G H