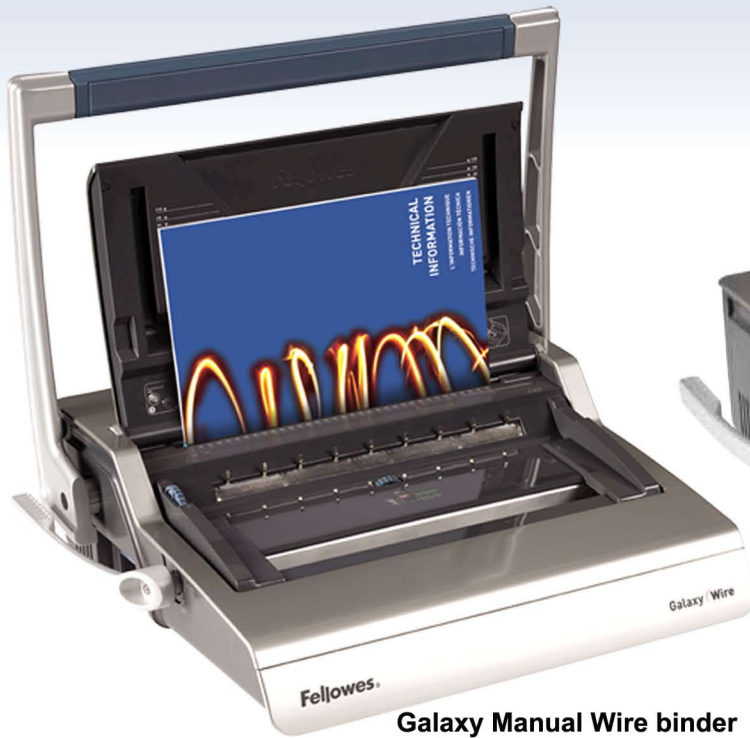


# GALAXY™ E WIRE

## Large Office Wire Binder



Galaxy Manual Wire binder



Galaxy Electric Wire binder

**A HIGH PERFORMANCE MACHINE FOR THE LARGE OFFICE WITH ONE TOUCH CRIMP SELECTION FOR FAST, PRECISE WIRE CLOSURE DURING MULTIPLE BINDINGS OF THE SAME SIZE.**

- Electric machine offers effortless punching at the touch of a button
- Front access full size storage tray holds materials and documents
- Punches up to 20 sheets at a time
- Built-in document measurement device for added convenience and quick set-up
- Binds up to 130 sheets with a 14mm comb
- Integrated chip tray with burst-out feature eliminates jams
- Pre-selectable closure control provides easy wire closure for binding multiple documents of the same size
- Vertical document loading ensures accurate punch alignment
- Edge guide adjustment accurately centers documents
- Includes binding starter pack - (20 pk assorted kit)
- 2-year warranty



Wire storage tray with unique document and wire measure guide

### PRODUCT SPECIFICATIONS

Machine Model:	Item #	Bind Cpcty	Punch Capacity	UPC	Unit Dimensions	Unit Weight	Master Dimensions	Master Weight
Galaxy Wire Manual Binder	5622401	130	20	043859530021	165 x 450 x 530 (H x W x D mm)	11kg	215 x 530 x 620 (H x W x D mm)	13kg
Galaxy Wire Electric Binder	5622501	130	20	043859530038	154 x 506 x 452 (H x W x D mm)	12.88kg	215 x 530 x 620 (H x W x D mm)	14.88kg



# GALAXY E WIRE™

## LARGE OFFICE

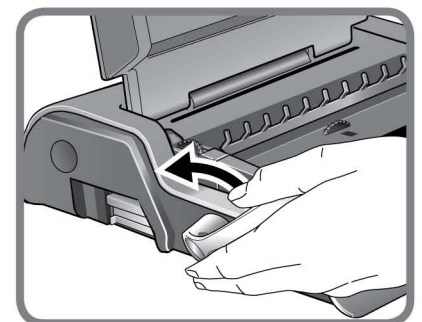
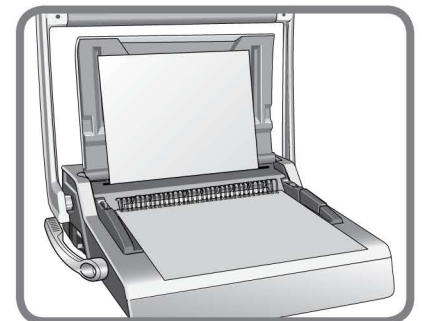
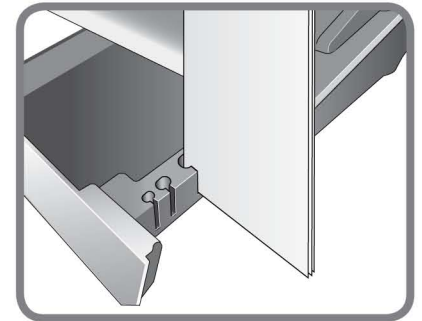
### Fellowes NEW Galaxy E Wire™

- Electric punching for ease of use.



### BINDING DEMO

- Turn the Wire machine on
- Determine the appropriate wire size by using the integrated document measurement device
- Hang the wire comb onto the wire comb support (Note: the wide loops get hung on the wire comb support)
- Punch your front and rear cover first
- Starting with the rear cover, load the covers onto the open wire comb (Note: your rear cover should have the textured side facing in)
- Punch and hang the remaining sheets
- Lift the wire comb off the support hooks
- Place the wire with the open wire side facing down into the wire closing mechanism
- Close the wire closing jaws until the wire gauge shows the size of the wire you are trying to close
- Remove the document and flip the back cover over so the textured side is facing outwards and the crimped side of the wire comb is hidden



#### TIP:

If binding multiple documents of the same size, the Galaxy E Wire has a pre-selectable lock control that allows you to preset the wire jaw closure to the size you need for fast, accurate repeat binding.