



ENGLISH

## Datasheet

# ABS Instrument Case, Grey, 120 x 60 x 30mm

RS Stock number 218-898

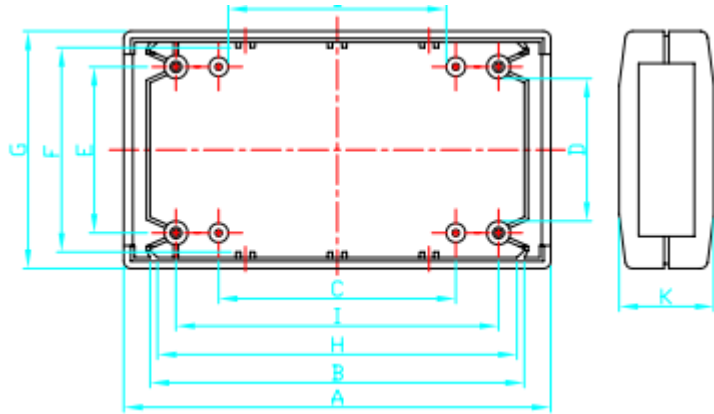
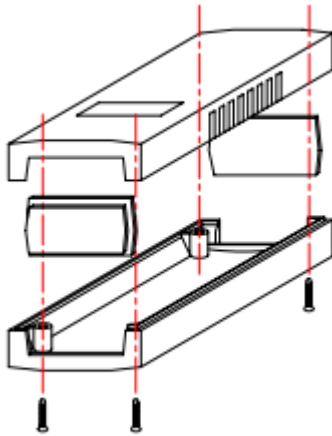


### Description:

Plastic enclosure, dark grey colour, made of heat resistant high-impact plastic UL-94V0. Provides protection against dust and moisture according to the standard IP54. Printed circuit boards may be horizontally or vertically mounted.

### Specifications:

Colour:	Dark grey
Body Material:	ABS
External Dimensions:	120 (length) x 60 (width) x 30 (height)mm
IP Rating:	IP54
Possibility of installation of printed circuit boards:	Horizontally and vertically, racks and rails



Dimensions: (mm)

A	120
B	111
C	80
D	26
E	35
F	44
G	60
H	108
I	98
J	72
K	30