

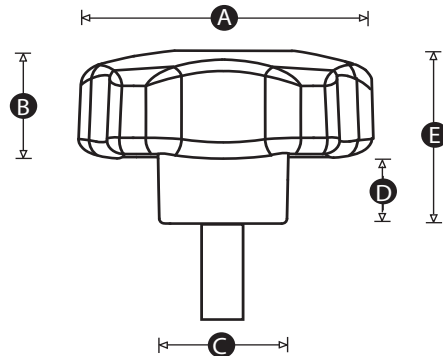


ENGLISH

Datasheet

**Stock No.1883447,1883448,1883449,1883450,1883451,
1883452,1883453,1883454,1883455,1883456,1883457,
1883458**

RS PRO Male Soft Touch Lobe Knob



Material

Two-part mouldings - Inner moulding Polypropylene - Over moulded with 'Soft Touch' TPE

Male thread material

Zinc plated steel

Standard colour

Black

Cap colours

Available with caps in many different colours (MOQs apply).

Part No.	A	B	C	D	E	Thread size	Thread length (mm)
1883447	28	16	12	10	26	M5	10
	28	16	12	10	26	M5	15
1883448	28	16	12	10	26	M5	20
1883449	28	16	12	10	26	M6	15
1883450	28	16	12	10	26	M6	20
	40	17	18	12	29	M6	20
1883451	40	17	18	12	29	M6	25
	40	17	18	12	29	M8	15
1883452	40	17	18	12	29	M8	16
1883453	40	17	18	12	29	M8	25
1883454	40	17	18	12	29	M8	35
1883455	50	19	21	12	31	M6	35
	50	19	21	12	31	M8	25
	50	19	21	12	31	M8	35
1883456	50	19	21	12	31	M8	40
	50	19	21	12	31	M10	25
	50	19	21	12	31	M10	40
1883458	60	21	23	13	34	M8	20
	60	21	23	13	34	M8	30
1883457	60	21	23	13	34	M10	30
	60	21	23	13	34	M12	40

TPE MATERIAL

PRODUCT: TPE-39 Styrenic Thermoplastic Elastomer

ORIGINATION: China

PHYSICAL PROPERTIES

Term/Item	Unit	Value
Density	kg/m ³	1160
Tensile Strength	MPa	11
Elongation at break	%	470
Tear Strength	kN/m	30
Abrasion	mm ³ lost	190
100% Modulus	GPa	8×10^{-3}
300% Modulus	GPa	9×10^{-3}
Electrical Resistivity	Ω .cm	8×10^{15}
Moulding Shrinkage	%	1.8
Water Absorption	%	0.05
Flammability	UL94	HB (1.5mm)