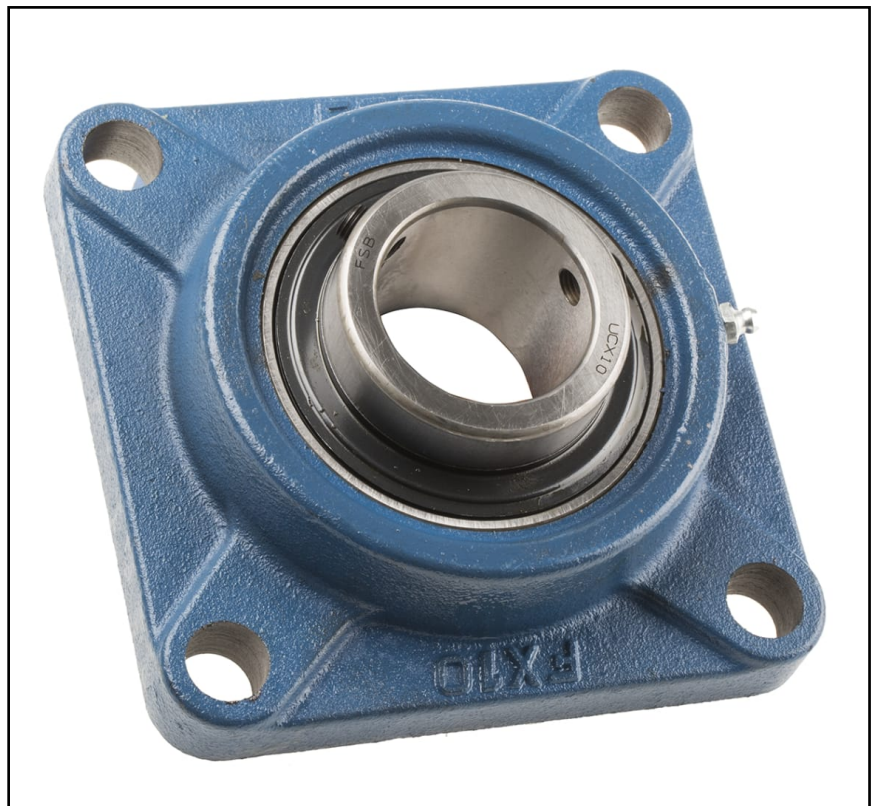


Features

- Flange bearing housing unit
- Suitable for 50mm shaft rotation
- Medium duty
- Suitable for constant and alternating rotation
- 4 x M16 mounted
- 162 x 162mm base size
- Cast Iron construction
- High contamination resistance
- Suitable for high temperature applications

RS PRO 4 Hole Flange Bearing Unit

RS Stock No.: 750-8927



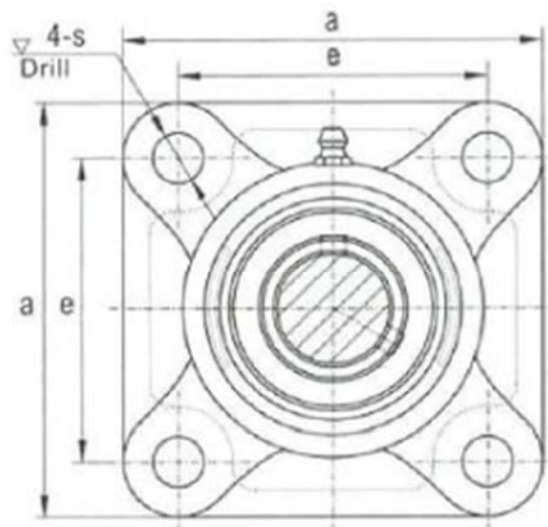
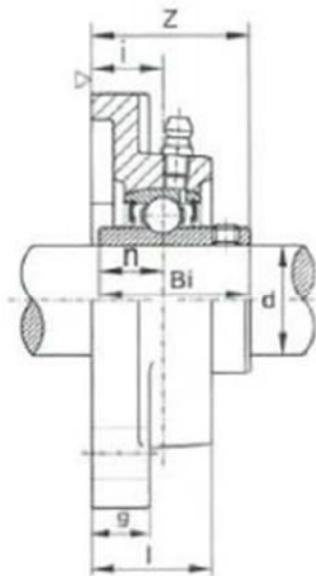
RS PRO Professionally Approved Products bring to you professional quality parts across all product categories. Our product range has been tested by engineers and provides a comparable quality to the leading brands without paying a premium price.

Product Description

The RS PRO 4 Hole Flange Bearing Unit is a four-bolt flange bearing unit used to support a 50mm diameter shaft designed to provide stability and support to shaft rotation in industrial machinery.

General Specifications

Inside Diameter	50 mm
Bearing Unit Type	Flange Bearing Unit
Number of Mount Holes	4
Material	Cast Iron
Length	162 mm
Width	162 mm
Depth	59.4 mm
Mount Hole Size	19 mm (M16)
Mount Hole Centre-to-Centre	130 mm



RS Article no.	Shaft Dia.	Dimension (mm)										Bolt used (mm)	Weight (kg)
	d (mm)	a	e	i	g	l	s	z	Bi	n			
7508902	35	130	102	21	14	38	16	51.2	49.2	19	M14	1.9	
7508911	40	137	105	22	14	40	19	52.2	49.2	19	M16	2.1	
7508914	45	143	111	23	14	40	19	55.6	51.6	19	M16	2.5	
7508927	50	162	130	26	20	44	19	59.4	55.6	22.2	M16	3.6	
7508920	55	175	143	29	20	49	19	68.7	65.1	25.4	M16	4.7	
7508924	60	187	149	34	21	59	19	73.7	65.1	25.4	M16	5.5	