



## Datasheet

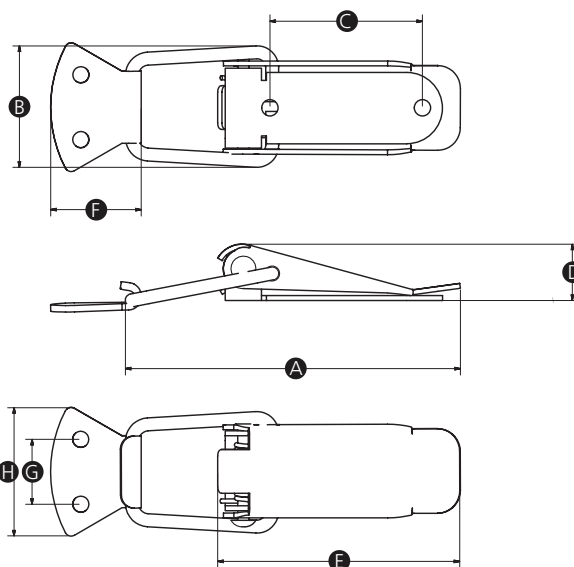
### RS PRO Stainless steel toggle latch, 105mm length

Stock number: 1929626

EN



- Stainless steel (304) sprung toggle latch
- Complete with catchplate.



Part No.	A	B	C	D	E	F	G	H	Base hole size	Hook hole size	Max load (N)
1929626	105	37	47	17	75	28	20	40	5	5	600