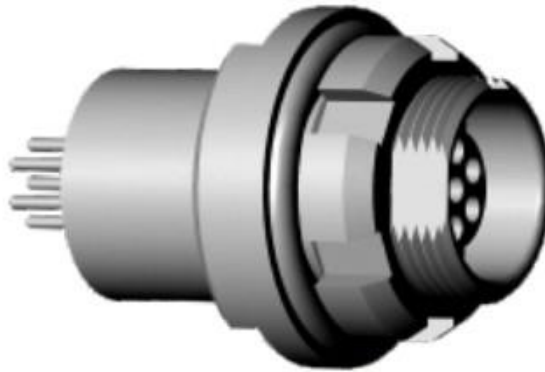


Datasheet

RS PRO Fixed Receptacle IP68 Female Solder Brass



RS Pro's range of waterproof Chrome plated Brass push-pull locking connectors offer exceptional quality that is found in many cutting-edge connectors, including an IP68 rating and full 360° EMC shielding with a high mating life. As has become standard within the RS Pro brand you can expect high quality products but at a reasonable price. These connectors are ideal for use in medical devices, testing equipment, audio equipment and other high-end indoor applications.

Features & Benefits:

- Push-pull latching system
- Chrome plated Brass
- IP68
- 360° Screening for full EMC shielding

Pin Number	Current Rating
2	9.2A
3	8.2A
4	5.5A
5	5.2A
7	2A
9	1.7A

Quality Standards



Technical Characteristics

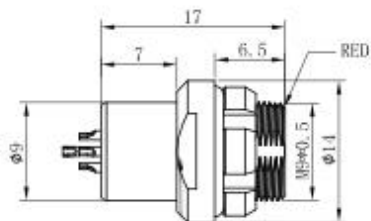
Mechanical and Climatical

Characteristics	Value	Standard
Endurance	>5000cycles	IEC60512-5test9a
Humidity	Up to 95% at 60°C	
Temperature range	-55°C, +250°C	
Resistance to vibration	10-2000Hz,15g	IEC 60512-4 test 6d
Shock resistance	100g, 6ms	IEC 60512-4 test 6c
Salt spray corrosion test	>96hrs	IEC 60512-6 test 11f
Protection index (mated)	IP68	IEC 60529
Climatical category	55/175/21	IEC 60068-1

Electrical

Characteristics		Value	Standard
Shielding efficiency	at 10 MHZ	>95 dB	IEC 60619-1-3
	at 1 GHz	>80 dB	IEC 60619-1-3

Dimensional line drawings



CONNECTOR SOLDER CUP VIEW

