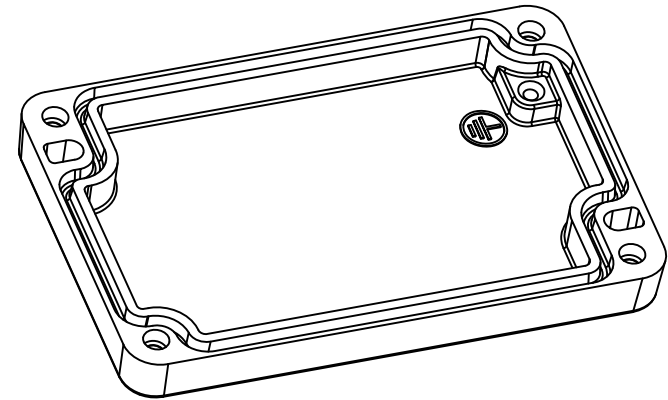
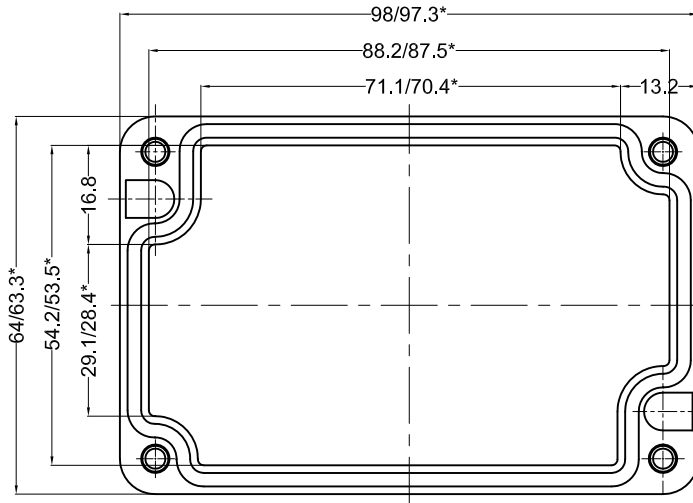
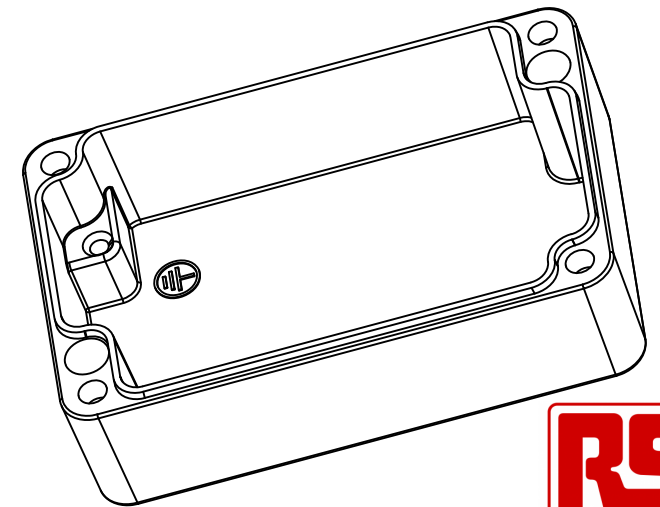
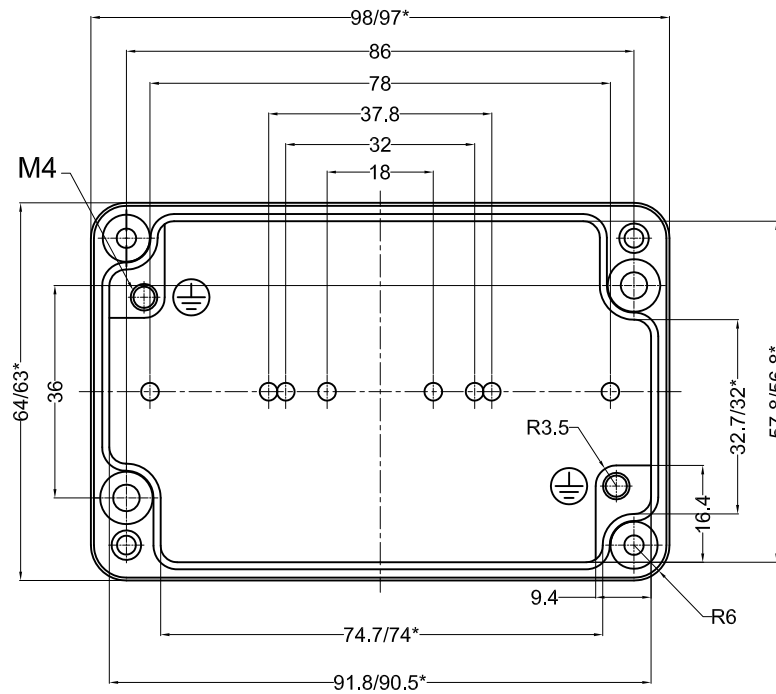


\* = Conical form tapering downward.  
 Untoleranced dimensions per GTA 13/5 DIN 1688

LID



BASE



- NOTE -
- 1) SHRINKAGE 0.5%
  - 2) THEORITICAL VOLUME -
  - 3) EJECTOR PIN DEPTH 0.1 - 0.5mm
  - 4) NON DIMENSIONAL RADIUS - 0.5mm
  - 5) ALL EDGES ARE BURR FREE
  - 6) FUNCTIONALLY CO-ORDINATED
  - 7) TOLERANCE AS PER DIN 1688 (GTA  $\frac{1}{2}$ ) STD.  
 maximum size / minimum size regarding tool deform
  - 8) Draft angle : out side max.2°, inside max.3°
  - 9) =Functions-dimensions to be checked (TOLERANCE  $\pm 0.10\text{mm}$ )

NO.	REV.NO.	DESCRIPTION	DATE	DRAWN	CHECKED
QUANTITY	1	MATERIAL :- <b>AlSi12 DIN230</b>	MACH.NAME	DATE	SIGN
				09/06/12	RRPL DESIGN
				09/06/12	MANOJ DRAWN
			TITLE :- JUNCTION BOX 98 x 64 x 34		PAVAN CHECKED
					S.D. APPROVED
		WEIGHT:	FINISH: NATURAL	SCALE	PARTNO.
					0
		TOLERANCE		REV	DRG. NO.
		$\pm 0.1$	DIMENSIONS	0	
		$\pm 0.1$	HOLES		
		$\pm 1.0^\circ$	ANGLES		
			ALL DIMENSION ARE IN MM		
					<b>AJB-986434</b>