

## FEATURES

- Made of cast iron
- Inside diameter of 50mm
- Length of 143mm
- Width of 143mm
- Depth of 54.6mm
- 4 mount holes
- 16mm mount hole size
- 111mm mount hole, centre-to-centre

# 4 Hole Flanged Bearing 50mm ID

RS Stock No.: 750-8804



RS Professionally Approved Products bring to you professional quality parts across all product categories. Our product range has been tested by engineers and provides a comparable quality to the leading brands without paying a premium price.

## Product Description

A square unit with 4 separate holes for mounting, this flanged bearing is quick and easy to install. Its design will also allow for some moderate initial misalignment, which means that the set-up is straightforward. The flanges of the unit help it to bear intermediate axial loads by locking in place on the surface it's attached to. This flanged bearing also enables rotary motion at intermediate radial speeds, with a range of different bearing types.

## General Specifications

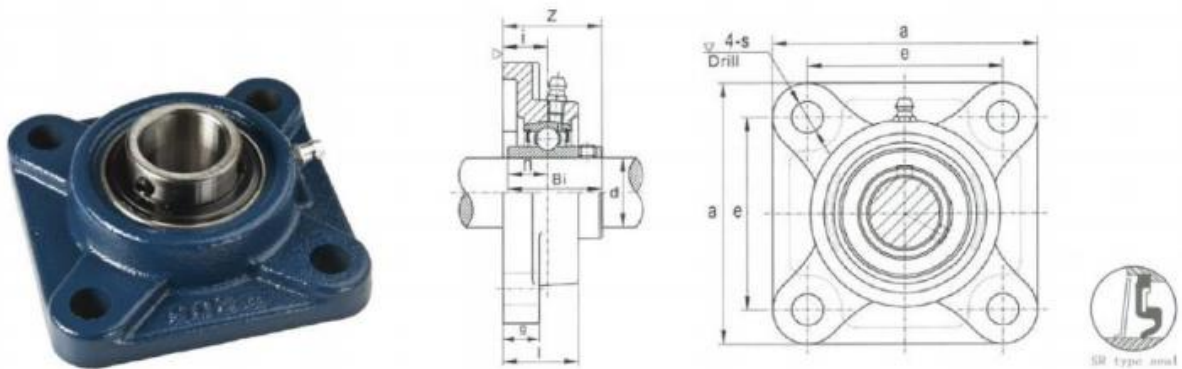
<b>Material</b>	Cast Iron
<b>Number Of Mount Holes</b>	4
<b>Bolt Size</b>	M14
<b>Applications</b>	Agricultural, bakery, construction, forestry, marine and textile equipment, construction plant, heat treatment equipment, forestry equipment, conveyor systems

## Mechanical Specifications

<b>Inside Diameter</b>	50mm
<b>Length</b>	143mm
<b>Width</b>	143mm
<b>Depth</b>	54.6mm
<b>Mount Hole Size</b>	16mm
<b>Mount Hole Centre-to-Centre</b>	111mm
<b>Weight</b>	2.5kg



## 4 Bolt Flange Bearing unit - Metric



RS Article no.	Bearing unit No.	Shaft Dia. d (mm)	Dimension (mm)									Bolt used (mm)	Bearing No.	Housing No.	Weight (kg)
			a	e	i	g	l	s	z	Bi	n				
7508762	UCF201	12	86	64	15	12	25.5	12	33.3	31.0	12.7	M10	UC 201	F 201	0.63
7508766	UCF202	15	86	64	15	12	25.5	12	33.3	31.0	12.7	M10	UC 202	F 202	0.63
7508775	UCF203	17	86	64	15	12	25.5	12	33.3	31.0	12.7	M10	UC 203	F 203	0.63
7508778	UCF204	20	86	64	15	12	25.5	12	33.3	31.0	12.7	M10	UC 204	F 204	0.63
7508781	UCF205	25	95	70	16	14	27.0	12	35.7	34.0	14.3	M10	UC 205	F 205	0.82
7508784	UCF206	30	108	83	18	14	31.0	12	40.2	38.1	15.9	M10	UC 206	F 206	1.1
7508788	UCF207	35	117	92	19	16	34.0	14	44.4	42.9	17.5	M12	UC 207	F 207	1.5
7508790	UCF208	40	130	102	21	16	36.0	16	51.2	49.2	19.0	M14	UC 208	F 208	1.9
7508794	UCF209	45	137	105	22	18	38.0	16	52.2	49.2	19.0	M14	UC 209	F 209	2.3
7508804	UCF210	50	143	111	22	18	40.0	16	54.6	51.6	19.0	M14	UC 210	F 210	2.5
7508801	UCF211	55	162	130	25	20	43.0	19	58.4	55.6	22.2	M16	UC 211	F 211	3.4
7508810	UCF212	60	175	143	29	20	48.0	19	68.7	65.1	25.4	M16	UC 212	F 212	4.4