

H753A-456 Universal Right Angle Pulling Head

Technical Data Sheet, Page 1 of 2

DIMENSIONAL DATA

(see figure, all measurements in Inches)

- Tool weight (no riveter): 1.20 Lbs (0.540 Kg).

CHOICE OF RIVETERS

- G746A, G747, G704B hydro-pneumatic riveters
- G800 hand powered riveter

MOUNTING INSTRUCTIONS

- Attach riveter to air source
- Push the collet bolt assembly forward
- While holding the collet bolt in a forward position, engage one to two drawbolt threads (item 23) onto the riveter piston; engage adaptor and thread in all the way then orient as needed; lock in place with the Jam Nut.

USAGE

In the configuration provided, it will install the following fasteners:

- 4, 5 & 6 diameter CherryMAX and CherryMAX AB (except 6 all aluminum)
- 4 & 5 diameter Maxibolt "S" type
- 4,5 & 6 diameter MBC Lock Creator
- 4 & 5 diameter CR1919 and CR1921, "U" type (NAS1900 with a shift washer)

It may be configured to install a wide range of fastener types and sizes; the suggested components must be purchased separately to reconfigure the pulling head. See table 1 for possible configurations.

Fig. 1
Dimensional Data / Mounting Instructions

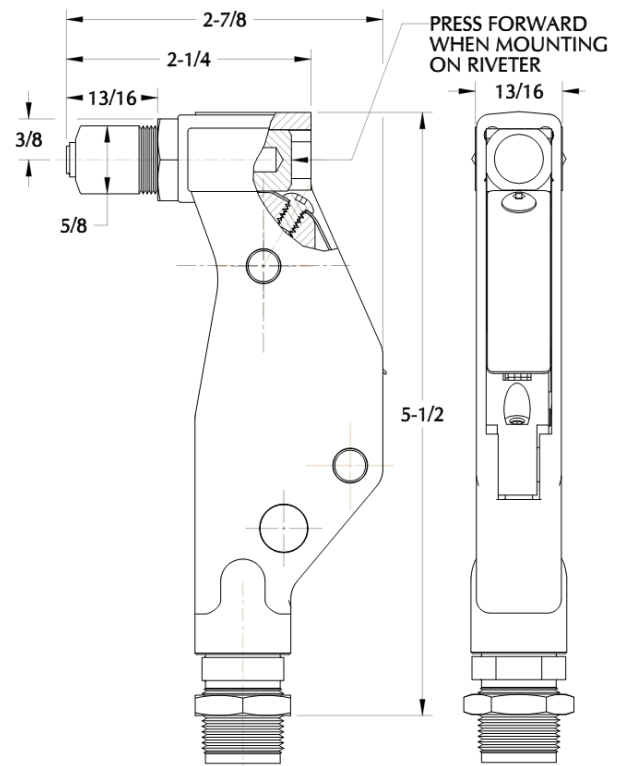


Fig. 2 CherryLOCK "A" Extended Nosepiece (782-3E)

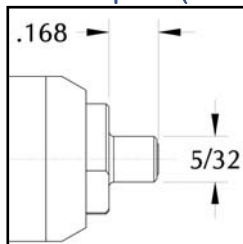


Table 1: Reconfigurable Component Selection Guide

| TO INSTALLS THE FOLLOWING FASTENERS | | CONFIGURE THE TOOL USING THE FOLLOWING PURCHASED COMPONENTS | | | |
|---|-------------------|---|-------------------------|--------------|-----------|
| FASTENER TYPE | FASTENER DIAMETER | NOSE PIECE | JAW P/N | JAW FOLLOWER | STEM STOP |
| WASHER TYPE CR1919, CR1921 (NAS1900) | 4, 5, & 6 | 782 -6AL | 782-010 | 886-002 | 886-007 |
| CHERRYMAX "AB", ALL ALUMINUM | 6 | 782 -6AL | 782-010 | 886-002 | 886-007 |
| CR1919, CR1921 (NAS1900) -NO WASHER | 4 | 782-4NAS | SEE PARTS LIST (PAGE 2) | | |
| | 5 | 782-5NAS | SEE PARTS LIST (PAGE 2) | | |
| | 6 | 782-6NAS | 782-010 | 886-002 | |
| STANDARD MBC | 4 | 783-4MBC | | | 886-007 |
| | 5 | 782-5MBC | | | 886-007 |
| | 6 | 782-6MBC | 782-010 | 886-002 | 886-007 |
| CHERRYLOCK "A" (MAY PURCHASE PULLING HEAD H886-3, H886-4, H886-5 OR H886-6 WHICH COME ALREADY CONFIGURED FOR THIS FASTENER) | 3 | 886-003 | SEE PARTS LIST (PAGE 2) | | |
| | 3 | 782-3E ¹ | SEE PARTS LIST (PAGE 2) | | |
| | 4 | 886-004 | SEE PARTS LIST (PAGE 2) | | |
| | 5 | 886-005 | SEE PARTS LIST | | |
| | 6 | 886-006 | 782-010 | 886-002 | 886-007 |
| 3/32" SPR & NUT PLATE RIVETS | 3 | 782-3 | SEE PARTS LIST (PAGE 2) | | |
| MAXIBOLT "U" TYPE | 5 | 782-5BB | SEE PARTS LIST (PAGE 2) | | |
| NOTES | | | | | |
| 1. THIS NOSE PIECE IS EXTENDED FOR USE IN HARD TO REACH HOLES; SEE FIGURE 2 | | | | | |
| 2. REMOVE THE COMPONENT PROVIDED WITH THE TOOL AND REPLACE WITH THIS ONE | | | | | |

DURING OPERATION

- Inspect the active area of the sleeve and pilot regularly.
- Keep the tool clean, especially the pilot, sleeve and jaws; pay special attention when sealants are used.
- If stem slippage occurs, clean or replace the jaws



CHERRY[®]
AEROSPACE

1224 East Warner Ave,
Santa Ana, Ca 92705
Tel: 1-714-545-5511
www.cherryaerospace.com

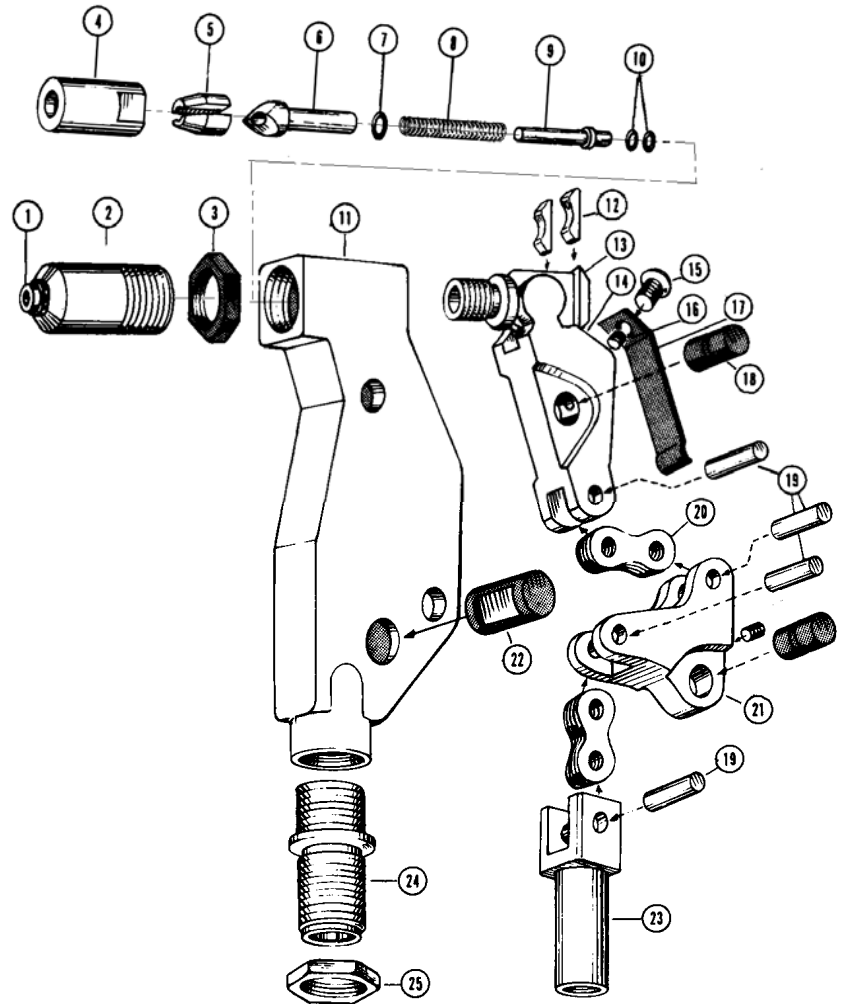
H753A-456

Universal Right Angle Pulling Head

Technical Data Sheet, Page 2 of 2

PARTS LIST

| REF. NO. | PART NUMBER | DESCRIPTION | QTY |
|----------|-------------|----------------------|-------|
| 1 | 753C12-2 | Nose Piece (Table 1) | 1 |
| 2 | 753B12-1 | Sleeve | 1 |
| 3 | G6JN | Jam Nut | 1 |
| 4 | 753A13A | Collet | 1 |
| 5 | 701B18 | Jaws | 1 set |
| 6 | 753A14A | Jaw Follower | 1 |
| 7 | P293 | O-ring | 1 |
| 8 | P-1003 | Spring | 1 |
| 9 | 753A15 | Stem Stop | 1 |
| 10 | P706 | O-ring | 2 |
| 11 | 753C2-3 | Frame | 1 |
| 12 | 753A4 | Shoe Bearing | 2 |
| 13 | 753B3 | Collet Bolt | 1 |
| 14 | 753B5 | Lever | 1 |
| 15 | P-413 | Button Head Screw | 1 |
| 16 | P-930 | Set Screw | 2 |
| 17 | 753A16 | Guard | 1 |
| 18 | 753A10 | Pivot Pin | 2 |
| 19 | 753A9 | Link Pin | 4 |
| 20 | P954 | Link | 8 |
| 21 | 753B6 | Bell Crank | 1 |
| 22 | 753A11 | Guide Pin | 1 |
| 23 | 753A7 | Drawbolt | 1 |
| 24 | 753B8 | Adapter Fitting | 1 |
| 25 | 671A16 | Jam Nut | 1 |



Lubricate outside of the jaw set with Lubriplate® or similar light lubricant.

PREVENTATIVE MAINTENANCE

- Clean and inspect the nosepiece, jaws, collet & spring every 1000 installations or whenever a failure occurs; replace spring and jaws if worn.
- Lubricate outside configuration of the jaws with Lubriplate® or similar light grease.
- Inspect regularly and keep active area clean and in good working condition.
- Replace worn or broken components.
- When re-assembling align the jaws with the jaw follower as shown in the exploded view (items 5 and 6); use Loctite® 242 (removable) on all threaded components except as shown.

LOCTITE® is a registered trademark of Henkel Corporation.

LUBRIPLATE® is a registered trademark of Fiske Brothers Refining Co.

WARRANTY

Seller warrants the goods conform to applicable specifications and drawings and will be manufactured and inspected according to generally accepted practices of companies manufacturing industrial or aerospace fasteners. In the event of any breach of the foregoing warranty, Buyer's sole remedy shall be to return defective goods (after receiving authorization from Seller) for replacement or refund of the purchase price, at the Seller's option. Seller agrees to any freight costs in connection with the return of any defective goods, but any costs relating to removal of the defective or nonconforming goods or installation of replacement goods shall be Buyer's responsibility. SELLER'S WARRANTY DOES NOT APPLY WHEN ANY PHYSICAL OR CHEMICAL CHANGE IN THE FORM OF THE PRODUCT IS MADE BY BUYER. THE FOREGOING EXPRESS WARRANTY AND REMEDY ARE EXCLUSIVE AND ARE IN LIEU OF ALL OTHER WARRANTIES AND REMEDIES; ANY IMPLIED WARRANTY AS TO QUALITY, FITNESS FOR PURPOSE, OR MERCHANTABILITY IS HEREBY SPECIFICALLY DISCLAIMED AND EXCLUDED BY SELLER. This warranty is void if seller is not notified in writing of any rejection of the goods within ninety (90) days after receipt of the goods by buyer.

Seller shall not be liable under any circumstances for incidental, special or consequential damages arising in whole or in part from any breach by Seller, AND SUCH INCIDENTAL, SPECIAL, OR CONSEQUENTIAL DAMAGES ARE HEREBY EXPRESSLY EXCLUDED.

Our policy is one of continuous development. Specifications shown in this document may be subject to changes introduced after publication.

NOTE: The properties, strength, dimensions, installed characteristics and all other information in these materials are for guidance only to aid in the correct selection of the products described herein and is not intended or implied as part of the above warranty. All applications should be evaluated for functional stability and available samples of the described parts can be requested for installed tests, suitability and evaluations.



CHERRY®
AEROSPACE

1224 East Warner Ave,
Santa Ana, Ca 92705
Tel: 1-714-545-5511
www.cherryaerospace.com