



ENGLISH

Datasheet

3 Phase Energy Meter Measuring Instrument Directive MID Approved

3 Phase Multi- function kWh, Din Rail, 100A, Pulsed Output

Stock No: 2369296



CE  RoHS MID

rspro.com

UK

The 2369296 is a new generation modern design power monitor that will measure and display electrical power quality parameters. The 2369296 is an entry level three-phase multi-function energy monitoring solution with a built-in pulsed output and RS485 Modbus outputs for remote reading. It has been engineered to cover most applications (Three Phase networks and works directly connected to a maximum load 100A AC circuit. The 2369296 will only measure and display Active energy (kWh), Current / Voltage / Power per phase, Total Power, IMP & EXP energy as an entry level multi-function meter.

- MID B+D Certified
- Certificate Number 0120/SGS0318
- Class B (kWh) EC Directive 2014/32/EU
- Certified for Single & Three Phase
- Certified for Import / Export kWh

As the demand for MID certified meters has increased, we have obtained annex B and D of the EC Directive 2014/32/EU. This power meter has been tested and certified for single or three phase networks and import and export active energy (kWh). The meters are housed in a 4U Din Rail mounted housing. Note this model does not require Current Transformers as it is directly connected to 3 phase 100A AC circuits.

Parameters

- Total active energy Resettable
- Active energy, Import energy, Export energy
- Total reactive energy, Resettable reactive energy
- L1-N voltage L2-N voltage L3-N voltage
- L1 current L2 current L3 current
- L1 active power L2 active power L3 active power
- Total active power
- L1 reactive power L2 reactive power L3 reactive power
- Total reactive power
- L1 power factor L2 power factor L3 power factor
- Total power factor
- Frequency

Specifications

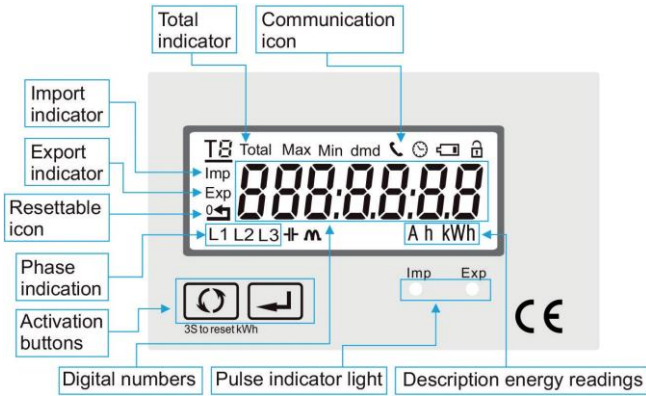
Voltage AC (Un)	3x230(400)V
Voltage Range	80-120% Un
Base Current (Ib)	10A AC
Max. Current (Imax)	100A AC
Mini Current (Imin)	5% of Ib AC
Starting current	0.4% of Ib
Power consumption	≤ 2W/10VA for the voltage measuring circuit ≤ 4VA for the current measuring circuit
Frequency	50Hz(MID); 50/60Hz(non-MID)
AC voltage withstand	4KV for 1 minute
Impulse voltage withstand	6KV-1.2/50 μS
Overcurrent withstand	30 Imax for 0.01s
Power supply	Self-power supply
Display	LCD with backlit
Max. Reading	999999.9kWh
Active energy	Class 1 IEC62053-21 Class B EN50470-1/3 Class 2 IEC62053-23

Performance Criteria

- Operating Humidity ≤ 90%
- Storage Humidity ≤ 95%
- Operating Temperature -25°C - 55°C (3K6)
- Storage Temperature -40°C - 70°C
- International Standard IEC62053-21
- Accuracy Class 1.0/Class B
- Protection (Dust/Water) IP51
- Installation category CAT III
- Mechanical environment M1
- Electromagnetic environment E2
- Degree of pollution 2
- Protection against penetration of dust and water IP51(indoor)
- Insulating encased meter of protective class II
- Altitude up to 2000m
- Electrostatic discharges 8kV contact / 15kV air gap
- Electromagnetic HF fields IEC 61000-4-3
- Electrical fast transients 4kV
- Surge 4kV
- Radiated & conducted emissions EN 55022



Display / Buttons

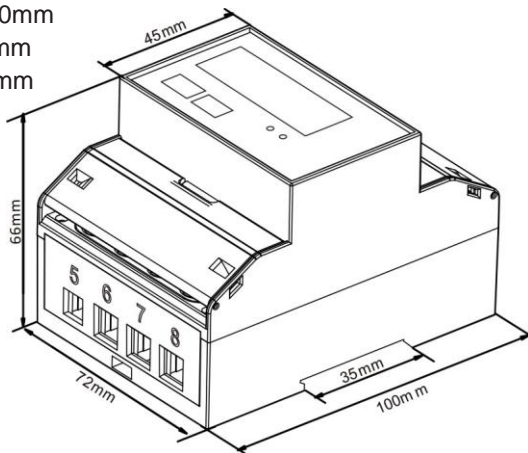


There are two buttons on the front panel.

	>Scroll the display for data-check >Change option at Set-up mode >Exit the Set-up mode
	>Set-up mode entry >Confirmation

Dimensions

Height: 100mm
 Width: 72mm
 Depth: 66mm

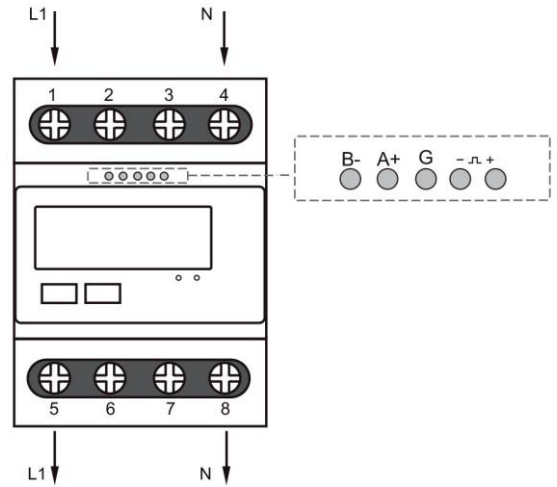


Features

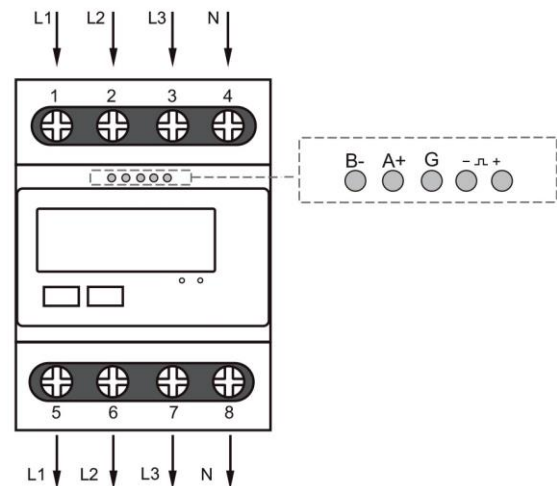
- Class 1 kWh according to EN62053-21
- Class B according to EN50470-3
- Maximum Energy Reading 99999.9 kWh
- 4-DIN Module
- Self-supplied Auxiliary Power Supply
- IP51
- Pulsed Output/RS485 Modbus

Wiring Diagrams

Single phase two wires



Three phase four wires



Meter Specifications

- Nominal voltage 3x230V/400V AC
- Operational voltage 0.7-1.3Un
- Insulation capabilities:
- AC Voltage Withstand 4kV for 1 minute
- Impulse Voltage Withstand 6kV-1.2μS waveform
- Basic Current (Ib) 5A
- Maximum Rated Current (Imax) 45A
- Operational Current Range 0.4% Ib-Imax
- Over Current Withstand 20Imax for 0.01s
- Operational Frequency Range 50-60Hz ±2%
- Internal Power Consumption ≤ 2W / 10Va
- Test Output Flash Rate (Red LED) 1000imp/kWh
- Pulse Output Rate 1000imp/kWh
- Data Save > 20 years when power off.

Specification to change without notice.

