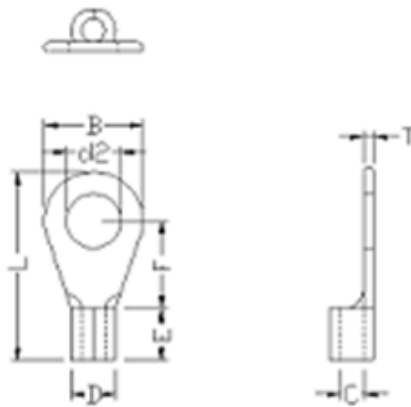


# Datasheet

## Uninsulated Tin Plated Crimp Ring Terminal, M5 Stud Size, 22 → 16 AWG

RS Stock number [433-012](#)



Insulation Colour	Wire Range Mm2/Awg	Stud Size	d2 (mm)	W (mm)	F (mm)	L (mm)	E (mm)	D (mm)	d1 (mm)	T (mm)
Red	0.5-1.5mm2/22-16AWG	#10	5.3	10.0	11.0	26.7	10.0	4.0	1.7	0.8

### Specifications:

1. **Maximum Electric Current:** (最大電流)

22-16AWG / 0.5-1.5mm<sup>2</sup>: 19A

16-14AWG / 1.5-2.5mm<sup>2</sup>: 27A

12-10AWG / 4-6mm<sup>2</sup>: 48A

2. **Terminal Body:** Copper (端子材質: 紅銅)

3. **Insulation:** (護套材質: )

4. **Plating:** Tin (表面處理: 鍍錫)

NBT—Non-Insulated butted seam

NB—Non-insulated brazed seam