



# Datasheet

## RS PRO Modular Enclosure for DIN rail

Stock number: 2069058

EN



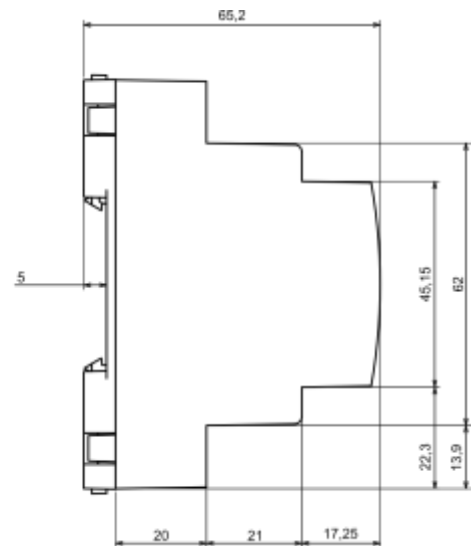
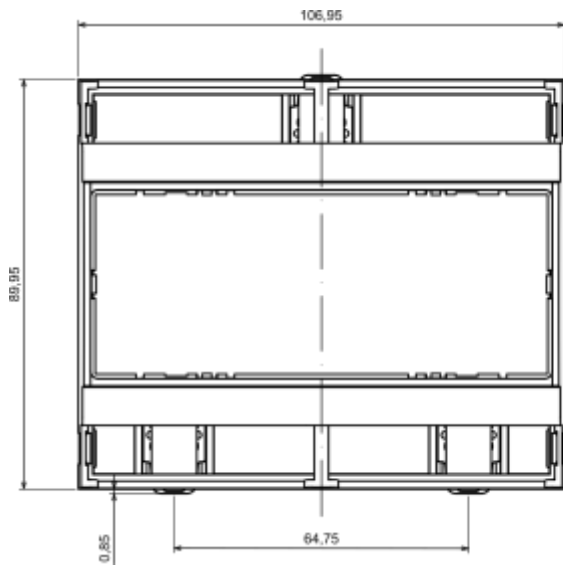
## Product Details

Customizable Modular enclosures for DIN rail - are enclosures adapted for mounting on DIN rails. They are manufactured in lightgray color. The material from which we manufacture them is ABS V0 (self-extinguishing). Different slot masks and filters can be used with the enclosure.

## Features and Benefits

- Made of self extinguishing ABS
- Available in light gray color
- Supplied with hook
- Different slot masks and filters

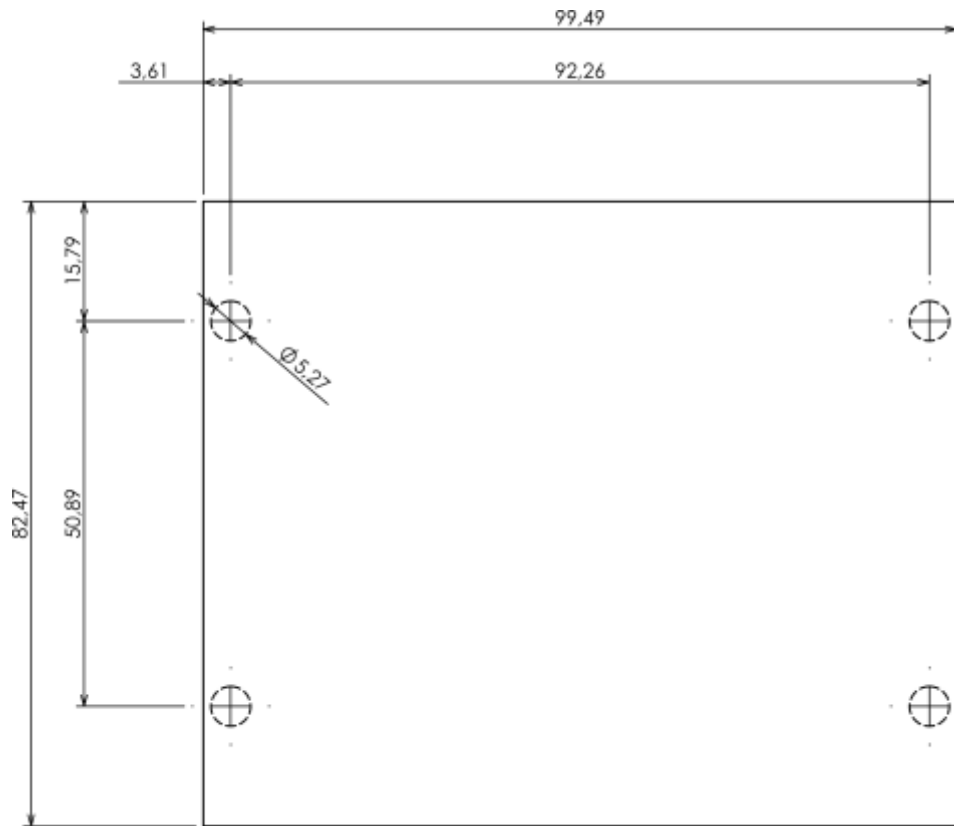
[rspro.com](https://rspro.com)



Category	Modular Enclosures for DIN rail
Type	Full
Material	ABS V0
Variant	Without gasket
Height	65.2 mm
Width	90.0 mm
Length	107.0 mm
Color	Lightgray (J)
Standards Met	RoHS Compliant
Accessories	Black hook: 3.0 pcs
Optional accessories	Slot mask - full ZD3TC: 4.0 pcs Slot mask for sockets ZD3TCS: 4.0 pcs Slot mask - universal ZD3TCU: 4.0 pcs Slot mask for end plugs ZD3TC 5,08: 4.0 pcs Filter ZDFJ1006 ABS V0 (Lightgray): 1.0 pcs Filter ZDFcz1006 ABS (Red): 1.0 pcs Filter ZDFp1006 ABS (Transparent): 1.0 pcs
Certificate number	



## Max PCB size



Dashed line shows outline of the mounting boss under PCB board  
Recommended mounting holes diameter  $\varnothing 3.5$  mm  
All dimensions are given within  $\pm 0.5$  mm tolerance