

Datasheet

Panel Mount ON-(ON) Push Button Switch

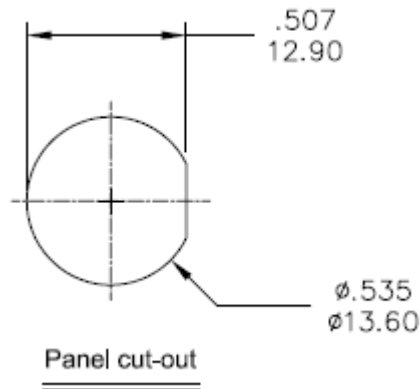
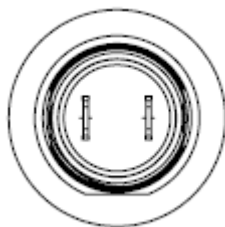
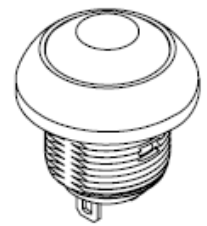
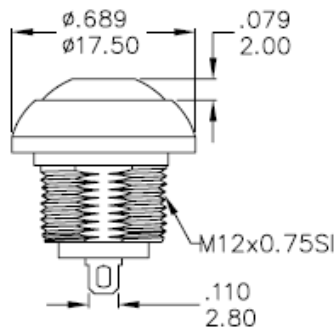
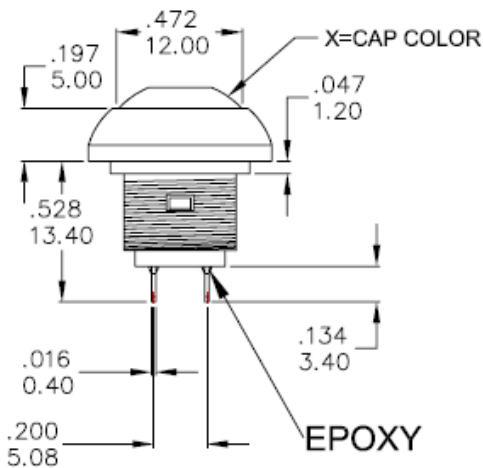
RS Stock number 734-6710



Specifications:

Max. current/voltage rating with resistive load	400mA 32VAC – 100mA 50VDC - 125mA 125VAC
Initial Contact Resistance:	50mΩ max.
Insulation Resistance:	1 GΩ min. at 500VDC
Dielectric Strength:	1,000VAC rms
Electrical Life at Full Load:	500,000 cycles
Panel Thickness:	B1 Series: 0.8(.031) min.-1.8mm(.071)max B2 Series: 1.5(.059) min.-4mm(.157)max
Total Travel:	1.5mm (.059)
Operating Force:	2N-5N
Contact Bounce:	10 ms
Mechanical Life:	1,000,000 cycles
Torque:	0.5Nm max. applied to nut
Soldering:	350°C max. for 5 seconds
Case:	Diallyl phthalate (DAP) (UL94v-0)
Cap:	Polyamide 6/6
Bushing:	Polyamide 6/6
Terminal/Contacts:	Gold over silver plated
RoHS:	2002/95/EC

Dimensions - mm



Model No.	POS.1	POS.2
	PAS7	ON
Term. Comm.		SHORT
SCHEMATIC		OPEN

SWITCH FUNCTION