

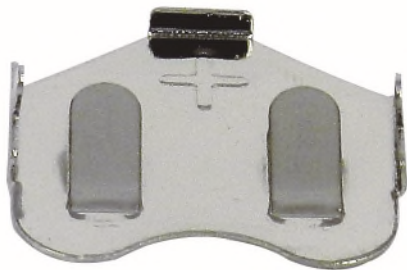


ENGLISH

Datasheet

RS Article:1854667

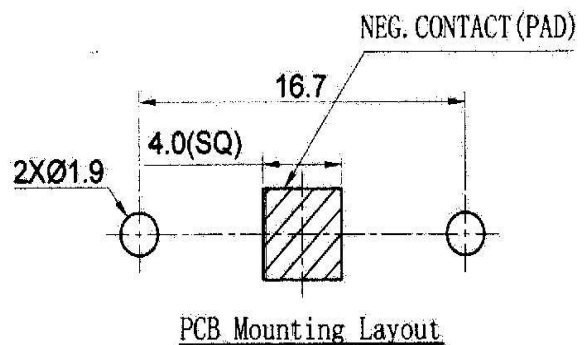
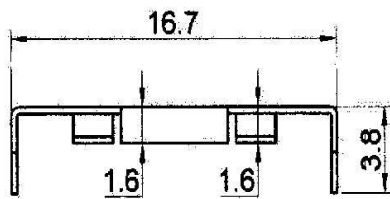
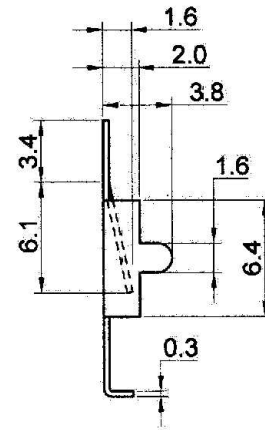
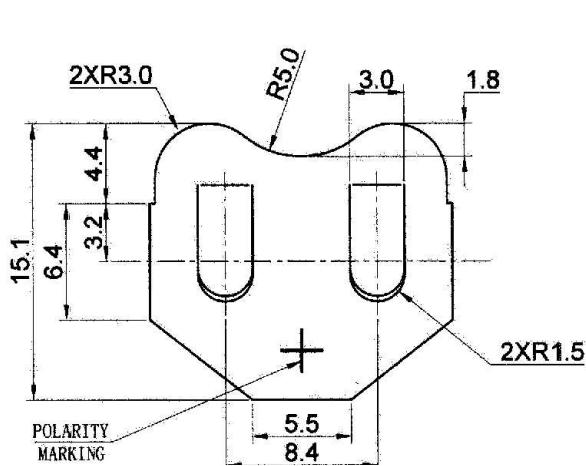
## RS Pro Battery Holder



## 1. Preface:

The purpose of this product specification is to Dimension and drawing

# Metal Coin Cell Holder CR1620



## NOTE:

1. MATERIAL: 0.3MM PHOSPHOR BRONZE  
NICKEL PLATED
2. RoHS COMPLIANT

Measure: mm