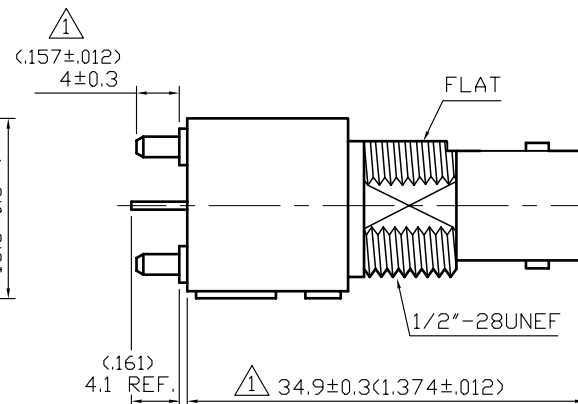
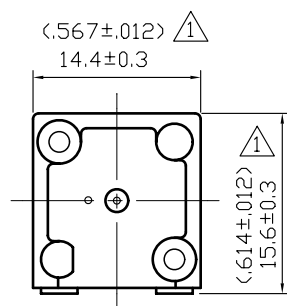
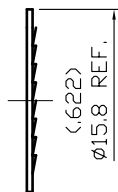
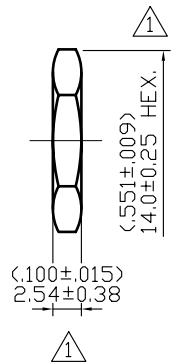
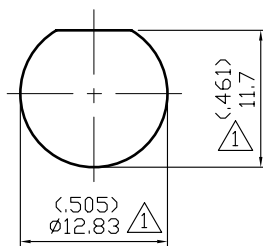


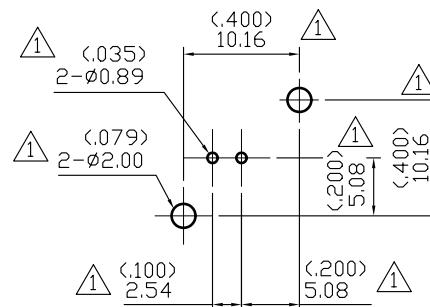
NO	DESCRIPTION	DATE
⚠	2.5 → 2.54±0.38 ; 14.0 HEX. → 14±0.25 HEX. 14.4 REF. → 14.4±0.3 ; 15.6 REF. → 15.6±0.3 4.0 REF. → 4±0.3 ; 34.9 REF. → 34.9±0.3 2-∅2.01 REF. → 2-∅2.00 ; DEL REF. OPERATING VOLTAGE--500 VOLTS RMS → TESTING VOLTAGE-- 500 VOLTS RMS DEL CONTACT RESISTANCE -55° C TO +85° C → -40° C TO +60° C MODIFICATION MATERIAL	04.01.09'



SPECIFICATIONS:  
 MECHANICAL CHARACTERISTICS:  
 MATING/UNMATING--500 CYCLES  
 ELECTRICAL CHARACTERISTICS:  
 NORMAL IMPEDANCE-- 50 OHMS  
 FREQUENCY RANGE-- 0-1 GHz  
 TESTING VOLTAGE-- 500 VOLTS RMS ⚠  
 DIELECTRIC WITHSTANDING VOLTAGE-- 1500 VOLTS RMS  
 INSULATION RESISTANCE-- 5000 MEGOHMS MIN.  
 ENVIRONMENTAL CHARACTERISTICS:  
 TEMPERATURE RANGE-- -40° C TO +60° C ⚠  
 THERMAL SHOCK-- MIL-STD-202,METHOD 107,COND.B.  
 PHYSICAL SHOCK-- MIL-STD-202,METHOD 204,COND.B.



MOUNTING HOLE



P.C.B. CONFIGURATION

APPROVED

by

DATE:



NO	DESCRIPTION	MATERIAL	Q' TY	FINISH
7	SOLDER PIN	COPPER WIRE	1	TIN
6	CENTER CONTACT	PHOSPHOR BRONZE WITH GOLD PLATING AT CONTACT AREA TIN PLATING AT TAIL	1	GOLD TIN
5	INSULATION	POLYPROPYLENE UL 94HB	1	NONE
4	WASHER	S50C	1	NICKEL
3	NUT	BRASS	1	NICKEL
2	BODY	ZINC ALLOY	1	NICKEL
1	MOUNTING POST	BRASS	2	TIN

DESCRIPTION		BNC STRAIGHT PCB MOUNT JACK RECEPTACLE							
製圖	DRAWN	TOLERANCE	品名	13-60-7	D.G.Z	日期	DATE	版次	REV.
	CHECK	.XX ±0.2	TITLE	\ROHS COMPLIANT <50μ>		07.28.97		B-1	
檢圖	CHECK	.XX ±0.1	單位	DWG.NO. 13-0441					
	APPROVAL	.XXX ±0.05	比例	SCALE		RS 5465187			
認定	ANGLE	±5°	比例	2:1					