

## FEATURES

- All fluids usable in aggressive environment
- Mechanical resistance
- Silicon free

# RS PRO Flow Reg CYL 316L 1/4

RS Stock No.: 2312707



RS PROfessionally Approved Products bring to you professional quality parts across all product categories. Our product range has been tested by engineers and provides a comparable quality to the leading brands without paying a premium price.

## Product Description

The RS PRO flow regulator 316L 1/4 works in 0.2 bar to 25 bar pressure range. It is mainly used in chemical, petrochemical, life & sciences, inert gases and vacuum applications. It is also usable in salty environment and on machines that need frequent washing with aggressive detergents. RoHS and REACH compliant.

## General Specifications

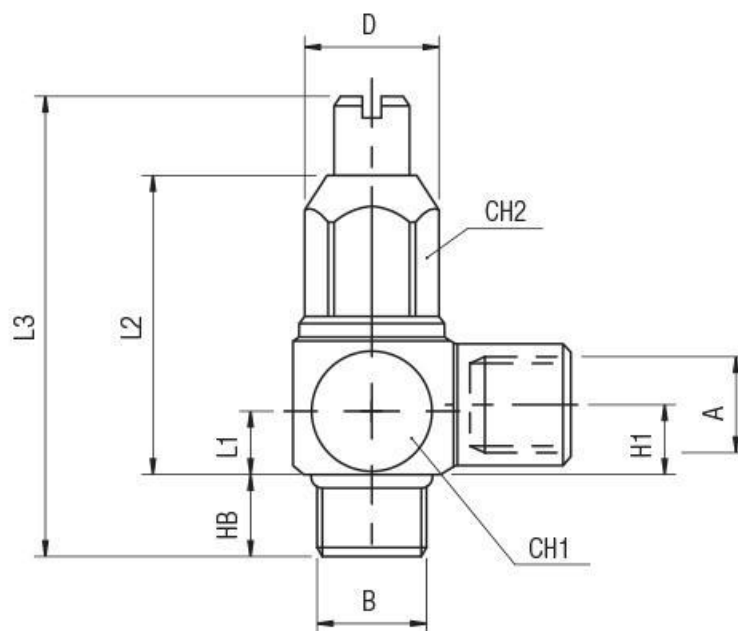
<b>Type</b>	Threaded
<b>Application</b>	Chemical, Petrochemical, Life & Sciences, Inert Gases And Vacuum Applications.

## Mechanical Specifications

<b>Length 1</b>	9mm
<b>Length 2</b>	34mm
<b>Length 3</b>	45/51
<b>Wrench Size 1</b>	19mm
<b>Wrench Size 2</b>	13mm

<b>Inlet Port</b>	
<b>Inlet Port Type</b>	1/4 in Male
<b>Tube Inlet Port</b>	1/4 in Female

<b>Outlet Port</b>	
<b>Tube Outlet Port</b>	Flow Regulator



A	B	HB	H1	L1	L2	L3	D	CH1	CH2	Pack.
1/4	1/4	8.5	9.0	9	34	45/51	17	19	13	2