

Datasheet

ENGLISH

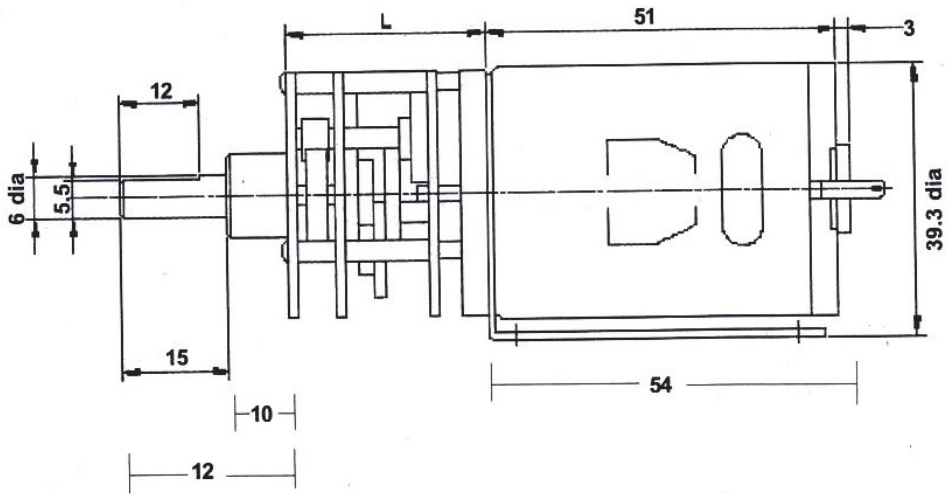
RS PRO, 4.5 - 15 V dc, 3000 gcm, Brushed DC Geared Motor, Output Speed 5 rpm

Stock No: 420-570



Specifications:

Output Speed	5 rpm
Supply Voltage	4.5 - 15 V dc
Maximum Output Torque	3000 g.cm
DC Motor Type	Brushed
Shaft Diameter	6mm
Power Rating	19.8 W
Gearhead Type	Spur
Length	92.5mm
Width	39.3mm
Current Rating	2.81 A
Weight	305g



Operating relative humidity 20% ~ 85%
 Operating temperature range -10°C ~ +60°C

Ratio	L
2812:1	41.5mm

Gearbox Housing material	Metal
Backlash at no-load	< 2°
Bearing at output	Sleeve bearings
Radial load (10mm from flange)	< 1 kgf
Shaft axial load	< 0.7 kgf
Shaft press fit force max	< 5 kgf
Radial play of shaft	< 0.05mm
Thrust play of shaft	< 0.35mm

Reduction Ratio	Rated tolerance Torque	Max momentary Tolerance Torque	Efficiency
1/2812	6.0 kgf-cm Max.	18.0 kgf-cm	43%

Reduction Table RPM SUPPLY VOLTAGE	4.5v	6v	9v	12v	15v
420-570	2	3	4	5	6

Note: Motor speeds may vary by (+) or (-) 12.5%