

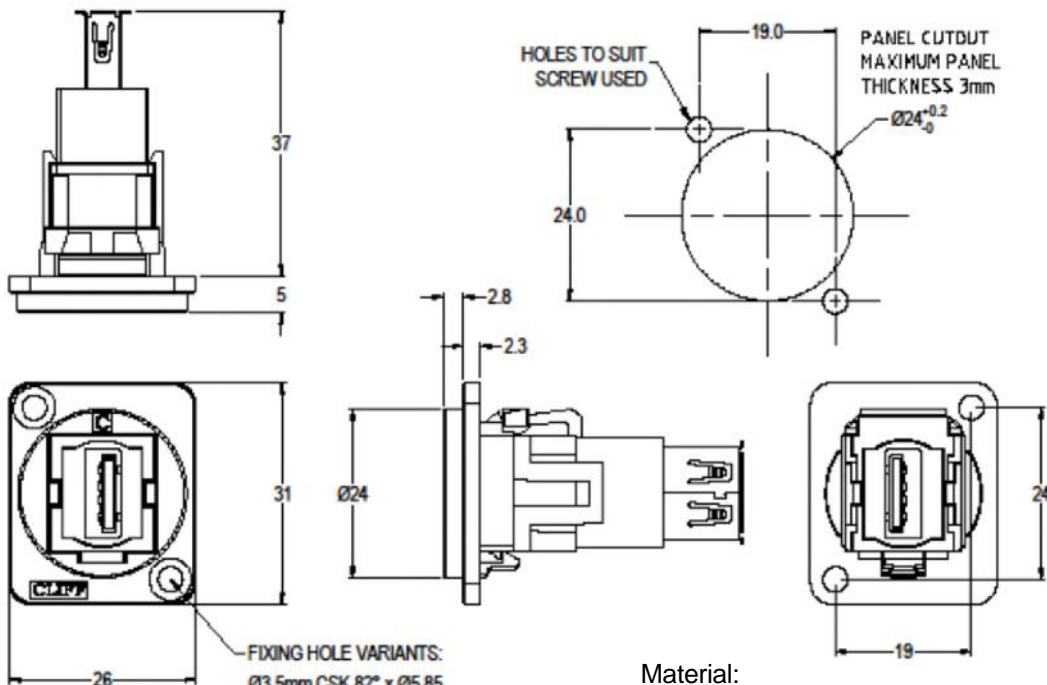


ENGLISH

## Datasheet

# RS PRO USB2.0 A-A METAL M3 FEEDTHROUGH CONNECTOR

Stock No: 175-0146, 175-0147



### Notes::

- 1.Voltage rating: 30V ac
- 2.Current rating: 1.5 A max
- 3.Contact resistance: 50mΩ max
- 4.Insulation resistance: 20MΩ min
- 5.Dielectric withstanding voltage: 500V AC
- 6.Operating Temperature: -20°C to 50°C

FIXING HOLE VARIANTS:  
Ø3.5mm CSK 82° x Ø5.85  
\*X VERSION HAS Ø2.5 PLAIN HOLES.

### Material:

- 1.Insert: ABS UL94 HB
  - 2.Frame: Nickel or black plated zinc diecast
  - 3.Inner Overmouldings: PE + PVC
  - 4.Shell: Nickel plated steel
- Contacts: Gold Plated

[rspro.com](http://rspro.com)

## Features & Benefits:

- Fits standard XLR Ø24mm cutout.
- No soldering or punch termination. Use standard cable for each connector style.
- Front or rear mounted.
- Low rear profile

## General:

Please note: Functionality is affected by cable quality, length and cable wiring configuration.

## Other models available:

### Part No.

**1750146** USB2.0 A-A Nickel plated metal frame, M3 holes

**1750147** USB2.0 A-A Black metal frame, M3 holes



[rspro.com](http://rspro.com)

