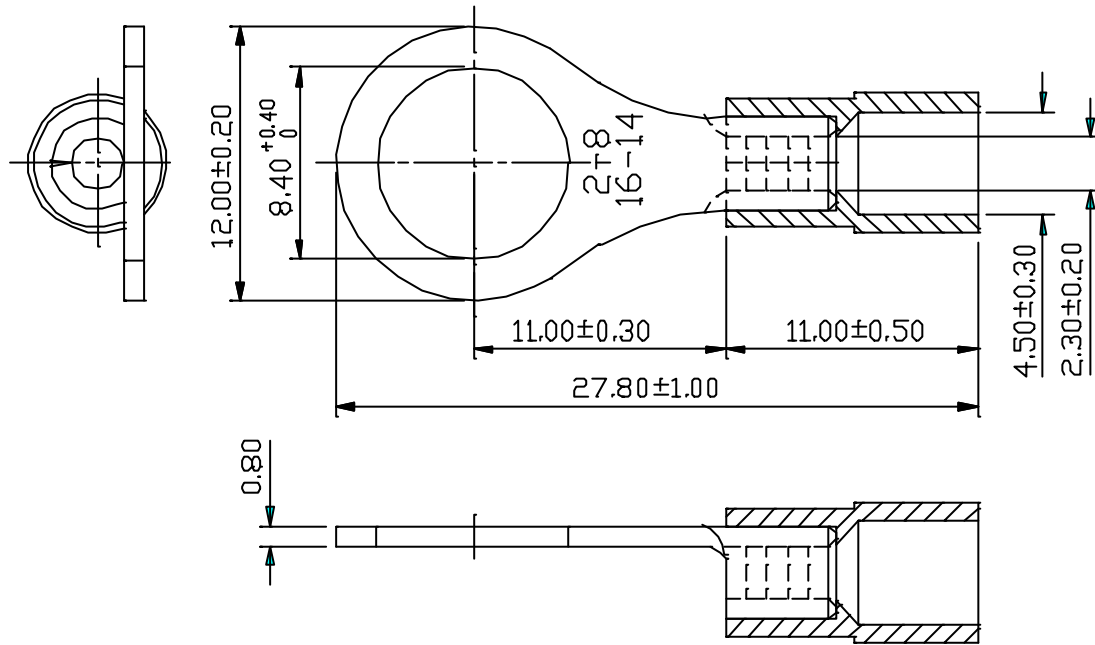




REV	DESCRIPTION	DATE
-----	-------------	------



NOTE:

1. MAXIMUM ELECTRIC CURRENT:  

A.W.G.	16	14
AMP.	18	30
2. MAXIMUM ELECTRICAL RATING:  
75°C 600 VOLTS MAX.
3. INSULATION MATERIAL: VINYL
4. INSULATION COLOR: BLUE
5. TERMINAL MATERIAL: COPPER
6. WIRE RANGE: 16-14A.W.G. (1.5-2.5mm<sup>2</sup>)

Tolerance Unless Otherwise Specified	
0 >	MM ± ANGLE
>	MM ± 0° REF ±
>	MM ± ° ±
>	MM ± ° ±

NAME	VINYL-INSULATED RING TERMINALS			UNIT	mm	
PART NO.	RVY2-8e	MATERIAL		APPROVE		
NUMBER	TZV-194	SCALE	SHEET	PAGE	CHECKED	
DATE	09/06/2005	3 : 1	1-0	1 OF 1	DRAWN	