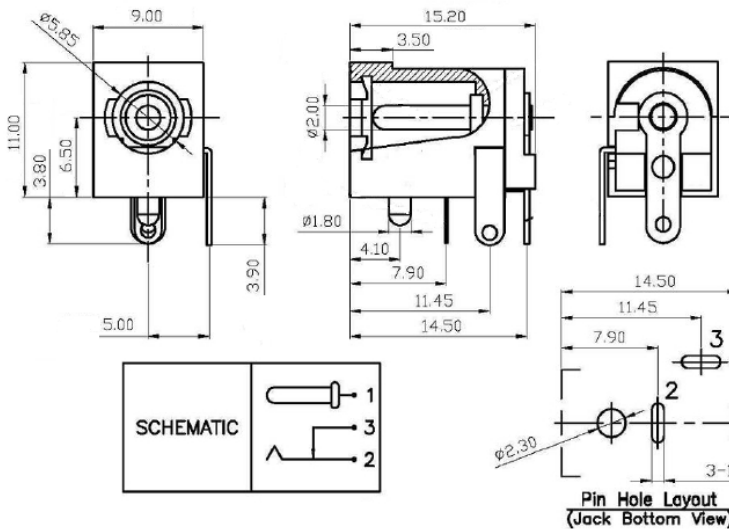
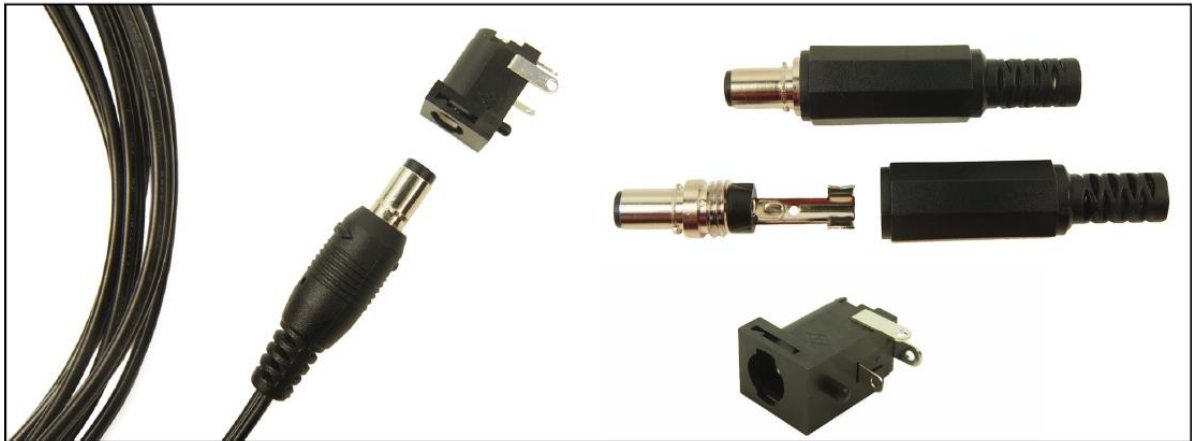


# Datasheet

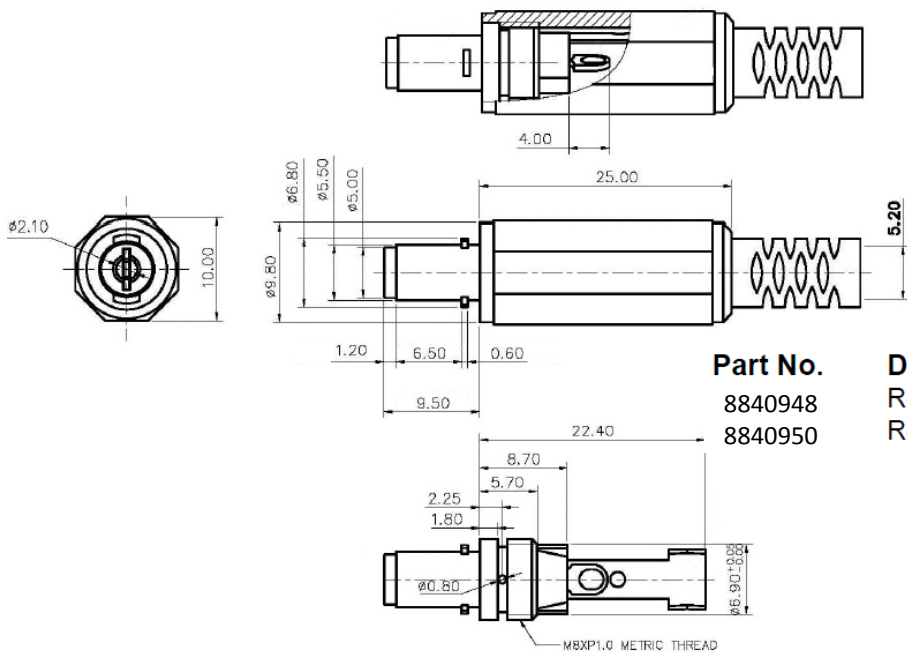
## Locking DC Plug & Socket

RS Stock number 884-0957



| Part No. | Description              |
|----------|--------------------------|
| 8840944  | Locking DC Socket Ø2.5mm |
| 8840957  | Locking DC Socket Ø2.1mm |

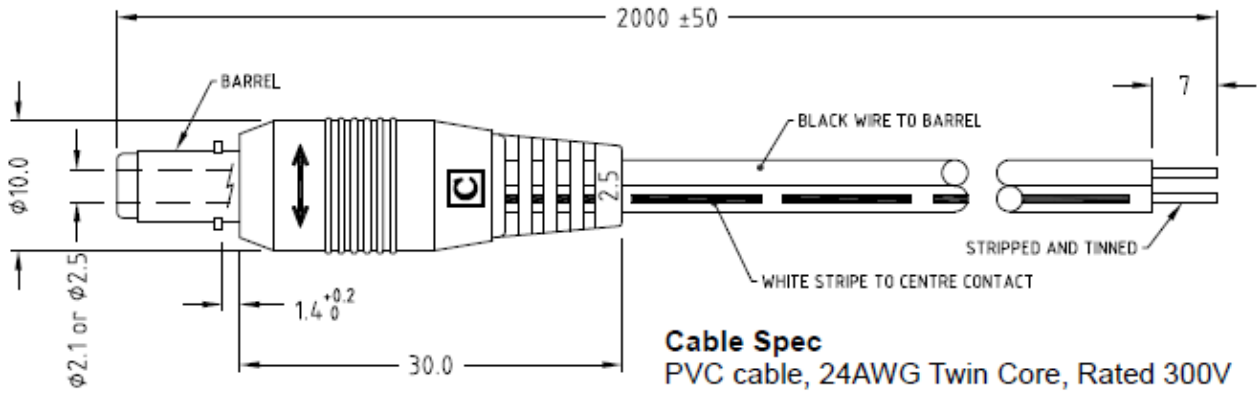
**Specification:**  
 Contact Resistance : 30mΩ max.  
 Current rating : Max 2.0A, 16V DC  
 Insulation Resistance : 100MΩ min at DC500V  
 Dielectric Withstand Voltage : AC 500V for 1 minute.



**Part No.**  
8840948  
8840950

**Description**

Rewireable Locking DC Plug  $\varnothing 2.5\text{mm}$   
Rewireable Locking DC Plug  $\varnothing 2.1\text{mm}$



**Part No.**  
8840932

**Description**  
Ø2.5mm LOCKING DC PLUG 2m CABLE