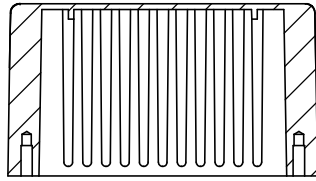


OVERALL ASSEMBLY DIMENSIONS:

EXTERNAL ± 0.2 - 152 x 82 x 49.75

INTERNAL ± 0.1 - 149.4 x 78.4 x 45.5

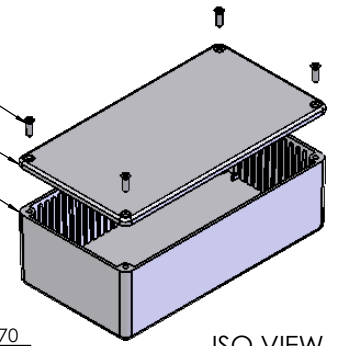


SECTION B-B

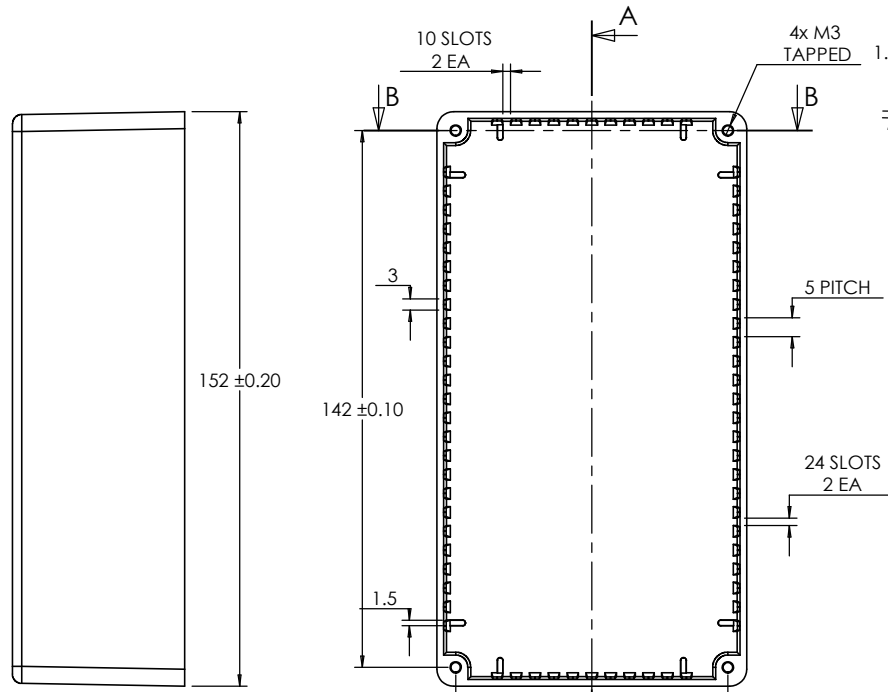
M3 CSK SCREW

LID

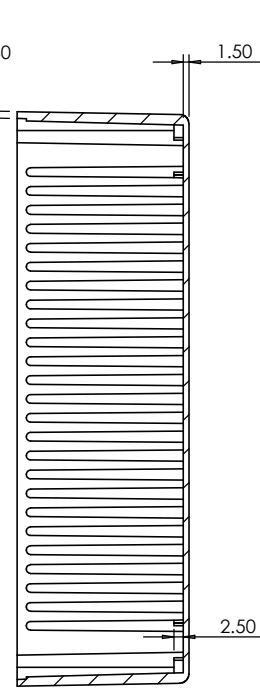
BASE



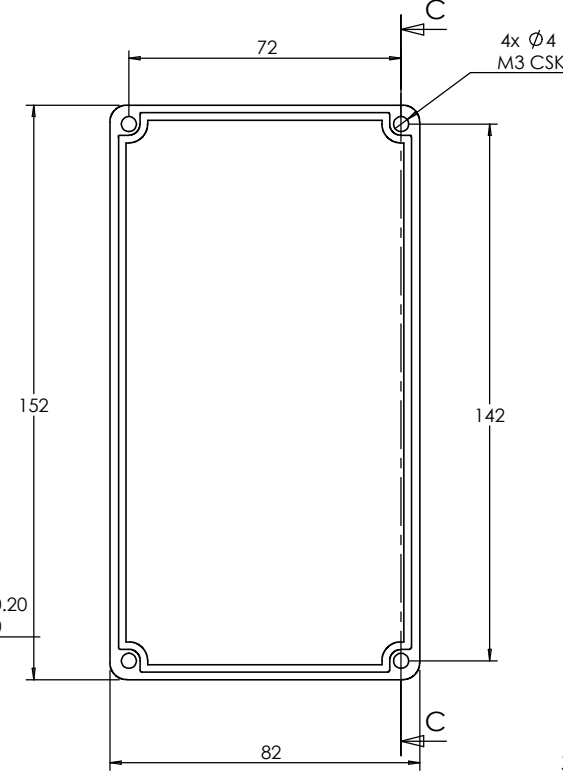
ISO VIEW
1:4



BASE

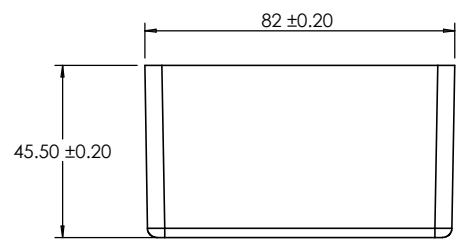


SECTION A-A



SECTION C-C

LID



<p>JAMES CARTER RD, MILDENHALL, SUFFOLK, IP28 7DE TEL: 01638 716101 FAX: 01638 716554 EMAIL: Sales@CamdenBoss.com WEB: www.CamdenBoss.com</p>				UNLESS OTHERWISE SPECIFIED: DIMENSIONS ARE IN MILLIMETERS		DO NOT SCALE DRAWING		REVISION: 0		
				FINISH: SMOOTH		TITLE: ASSEMBLY DRG FOR 5005/15				
DRAWN S.HARDINGE		SIGNED SJH		DATE 07/12/05		MATERIAL: DIE-CAST ALUMINIUM		DWG NO. 5005,15		A4
CHK'D -		-		-		PROJECTION: 		SCALE: 1:2		SHEET 1 OF 1