

# XVGB3SM

Monolithic tower lights, Harmony XVG, 60mm, red orange green, steady light, buzzer, aluminium tube mounting foldable bracket, IP40, 24V AC/DC



## Main

Range of product	Harmony XVG
Product or component type	Complete pre-wired monolithic tower light
Beacon or indicator bank unit type	3 illuminated units
Material	PC (UL94 V-2): globe ABS (UL94HB): tube body Aluminium: tube
Mounting diameter	60 mm
Component name	XVG
Device mounting	Tube mounting with foldable bracket
Light source	LED steady red LED steady green LED steady amber
Light block color	Red/orange/green
Indicator bank base type	Base with integrated buzzer

## Complementary

Rated supply voltage	24 V AC/DC
Cable cross section	0.33 mm <sup>2</sup>
Discrete output type	PNP and NPN
[Uimp] rated impulse withstand voltage	0.5 kV
Current consumption	180 mA
Noise level	85 dB
Power consumption in W	4.1 W
Fundamental frequency	2.64 kHz
Net weight	0.41 kg

## Environment

Product certifications	CE[RETURN]EAC
Ambient air temperature for storage	-35...70 °C
Ambient air temperature for operation	-10...50 °C
IP degree of protection	IP40

## Packing Units

Unit Type of Package 1	PCE
Number of Units in Package 1	1
Package 1 Height	8.4 cm
Package 1 Width	13.9 cm
Package 1 Length	54.3 cm
Package 1 Weight	621.0 g
Unit Type of Package 2	S06
Number of Units in Package 2	30
Package 2 Height	73.5 cm

Package 2 Width	60.0 cm
Package 2 Length	80.0 cm
Package 2 Weight	28.0 kg

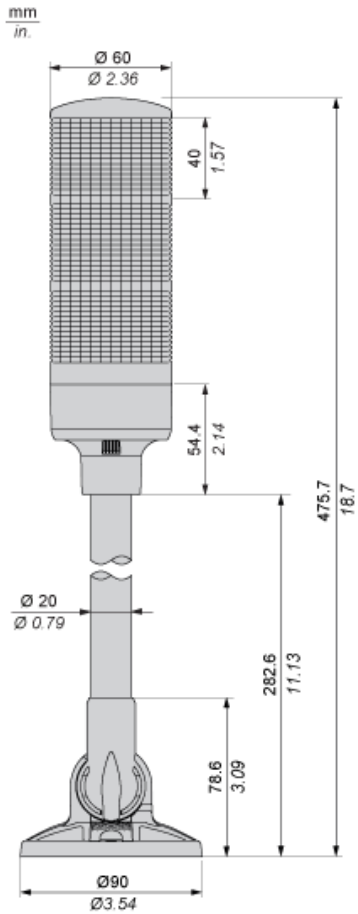
### Offer Sustainability

Sustainable offer status	Green Premium product
REACH Regulation	<a href="#">REACH Declaration</a>
EU RoHS Directive	Pro-active compliance (Product out of EU RoHS legal scope)
Mercury free	Yes
China RoHS Regulation	<a href="#">China RoHS Declaration</a>
RoHS exemption information	<a href="#">Yes</a>
Environmental Disclosure	<a href="#">Product Environmental Profile</a>
Circularity Profile	<a href="#">End Of Life Information</a>

### Contractual warranty

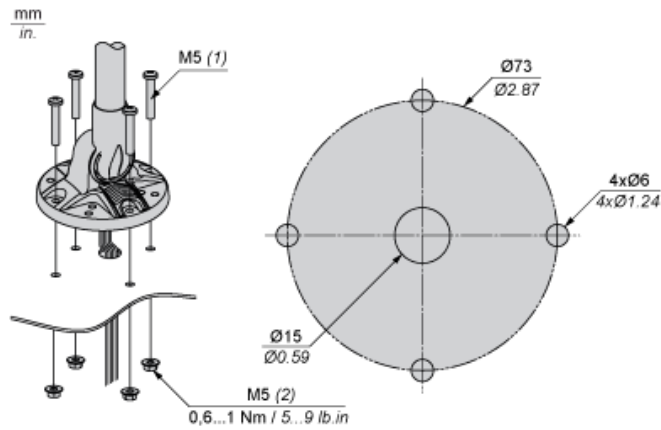
Warranty	18 months
----------	-----------

## Dimensions



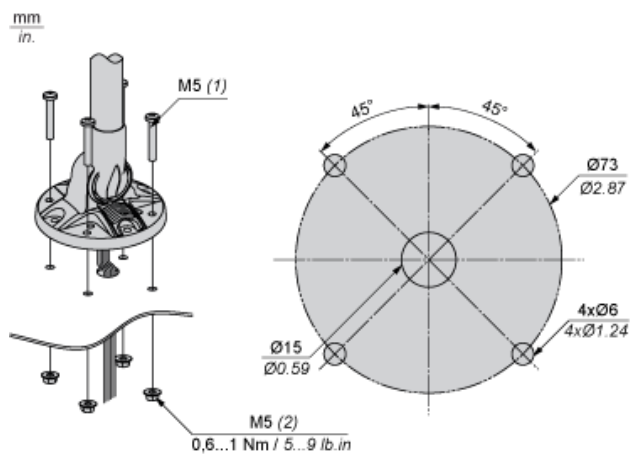
Mounting

Ø73 mm/2.87 in., Standard



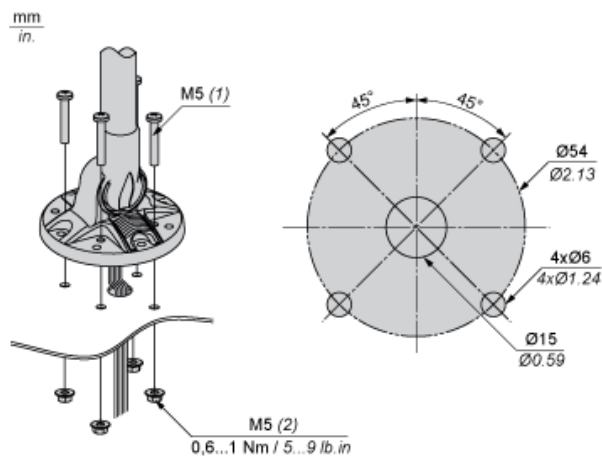
- (1) Thickness + 10 mm/0.39 in.
- (2) Hexagon Nut with flange

Ø73 mm/2.87 in., 45°



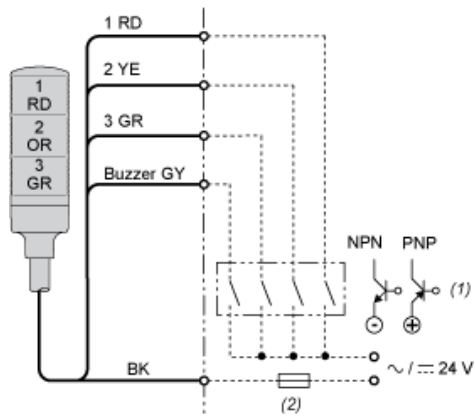
- (1) Thickness + 10 mm/0.39 in.
- (2) Hexagon Nut with flange

Ø54 mm/2.13 in., 45°



- (1) Thickness + 10 mm/0.39 in.
- (2) Hexagon Nut with flange

## Wiring



- (1) "ON" for lighting and/or applying continuous sound.  
(2) Fuse (rated current: 0.5 A)
- RD : Red  
YE : Yellow  
GR : Green  
GY : Grey  
OR : Orange  
BK : Black