



ENGLISH

Datasheet

Flanged Bolts

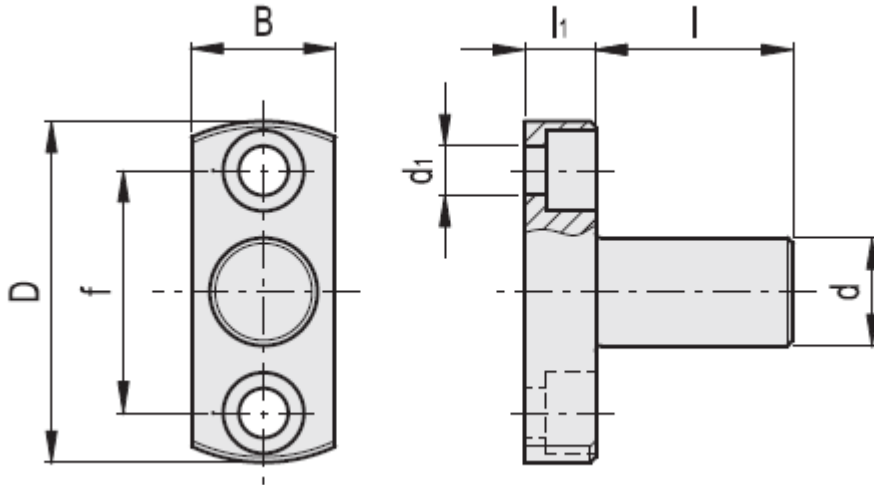


Specifications

- Material
Zinc-plated steel.

Features and applications

MSM-P flanged bolts are used for matching with connecting clamps, with the function of levelling element or holding flange.



Main Dimensions							
Stock No.	d	l	D	B	l1	d1	f
7866002	8	32	31.5	14	6	M4	22
7866046	10	37	38	16	8	M5	27
7866080	12	39	38	16	8	M5	27
7866122	15	47.5	45	20	10	M6	32
7866150	16	49	45	20	10	M6	32
7866179	20	60	50	25	10	M6	36