

# Round Rocker Switch

**multicomp** PRO

**RoHS  
Compliant**



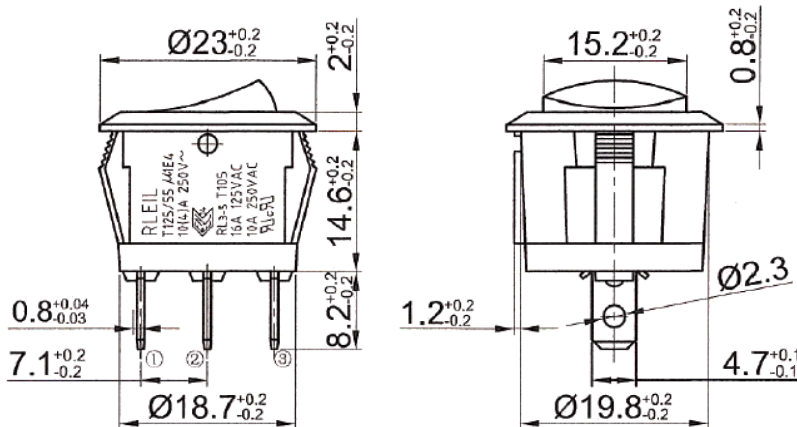
## Features

- Terminal material : Copper alloy AG plated
- Contact material : AgSnO<sub>2</sub>In<sub>2</sub>O<sub>3</sub> (10) / Cu
- Housing : Nylon #66 UL 94V-2
- Rocker : PC UL 94HB
- Illuminates at 12V DC & 24V DC
- LED lamp life - 10,000 hours

## Specifications

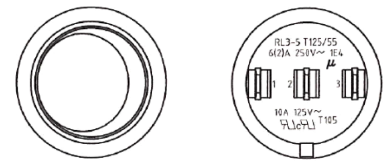
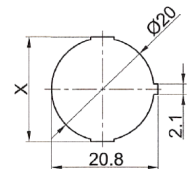
Rating	: 12V DC to 24V DC
Lamp	: Ambre LED 12/24V DC
Switch action	: ON-OFF, SPST, 3P, LED illumination
Maximum contact resistance	: 30MΩ
Minimum insulation resistance	: 500V DC 100MΩ
Withstand voltage	: 1500V AC 1min
Electrical life & lamp life	: 10,000 cycles at full load
Operation force	: 300gf to 600gf
Operating temperature	: -25°C to +125°C

## Diagram

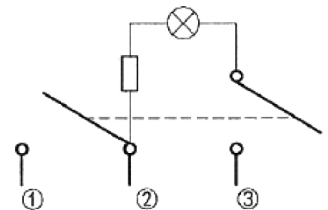


## Panel Hole Size

Panel thickness	X
0.75-1.25	20.2
1.25-2	20.4
2-3	20.6



## Circuit Diagram



## Part Number Table

Description	Part Number
Round Rocker switch, Amber Illuminated, 12 to 24V LED	MP-RR037

Dimensions : Millimetres

**Important Notice** : This data sheet and its contents (the "Information") belong to the members of the AVNET group of companies (the "Group") or are licensed to it. No licence is granted for the use of it other than for information purposes in connection with the products to which it relates. No licence of any intellectual property rights is granted. The Information is subject to change without notice and replaces all data sheets previously supplied. The Information supplied is believed to be accurate but the Group assumes no responsibility for its accuracy or completeness, any error in or omission from it or for any use made of it. Users of this data sheet should check for themselves the Information and the suitability of the products for their purpose and not make any assumptions based on information included or omitted. Liability for loss or damage resulting from any reliance on the Information or use of it (including liability resulting from negligence or where the Group was aware of the possibility of such loss or damage arising) is excluded. This will not operate to limit or restrict the Group's liability for death or personal injury resulting from its negligence. Multicomp Pro is the registered trademark of Premier Farnell Limited 2019.

Newark.com/multicomp-pro  
Farnell.com/multicomp-pro  
sg.element14.com/b/multicomp-pro

**multicomp** PRO