

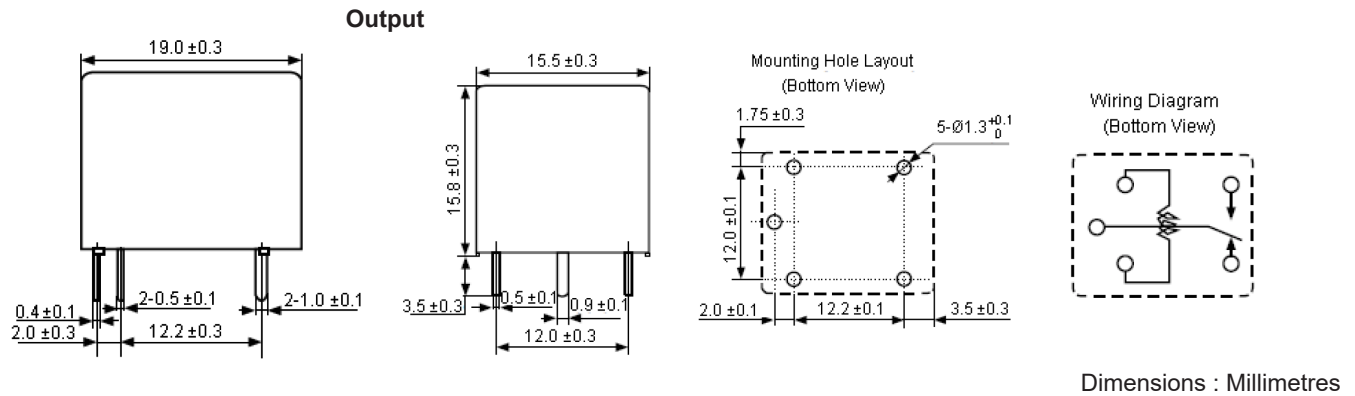
Features

- Microminiature relay.
Dimension : 19mm × 15.5mm × 15.8mm
- High isolation: 2,500V AC
- Contact Form: 1 form C

Specifications

Contact Data		
Contact Material		Ag Alloy
Contact Rating		10A 250V AC / 30V DC
Contact Resistance		Maximum 100mΩ (24V DC 1A)
Load	Maximum Switching Voltage	250V AC / 30V DC
	Maximum Switching Current	10A
	Maximum Switching Power	2,500VA, 300W
	Minimum Switching Load	5V DC, 100mA
Life	Electrical	100,000 Operations at 10A 250V AC for no. Contact Side Only
	Mechanical	10,000,000 Operations
Coil Data		
Nominal Coil Power		360mW, 450mW
General Data		
Insulation Resistance		Minimum 1,00MΩ 500V DC
Dielectric Strength	Between Open Contacts	1,000V AC, 1 Min
	Between Coil and Contacts	2,500V AC, 1 Min
	Inrush Voltage	6,000V AC Between Coil and Contacts (1.2 / 50μs)
Operate Time		Maximum 10ms
Release Time		Maximum 5ms
Operating Temperature		-40°C to +85°C
Humidity		35 to 95% RH, +40°C
Shock Resistance	Endurance	1,000m/s ²
	Misoperation	100m/s ²
Vibration Resistance	Endurance	10 to 55Hz, 1.5mm Double Amplitude
	Misoperation	

Out Line, Wiring Diagram, Mounting Hole Layout



Coil Data

Ambient Temperature: 23°C

Nominal Voltage V DC	Coil Resistance $\Omega \pm 10\%$	Operate Voltage $\leq V$ DC	Release Voltage $\geq V$ DC	Coil Power mW	Part Number
12	400	8.4	1.2	360	MC25113
24	1600	16.8	2.4		MC25114

Important Notice : This data sheet and its contents (the "Information") belong to the members of the AVNET group of companies (the "Group") or are licensed to it. No licence is granted for the use of it other than for information purposes in connection with the products to which it relates. No licence of any intellectual property rights is granted. The Information is subject to change without notice and replaces all data sheets previously supplied. The Information supplied is believed to be accurate but the Group assumes no responsibility for its accuracy or completeness, any error in or omission from it or for any use made of it. Users of this data sheet should check for themselves the Information and the suitability of the products for their purpose and not make any assumptions based on information included or omitted. Liability for loss or damage resulting from any reliance on the Information or use of it (including liability resulting from negligence or where the Group was aware of the possibility of such loss or damage arising) is excluded. This will not operate to limit or restrict the Group's liability for death or personal injury resulting from its negligence. Multicomp Pro is the registered trademark of Premier Farnell Limited 2019.