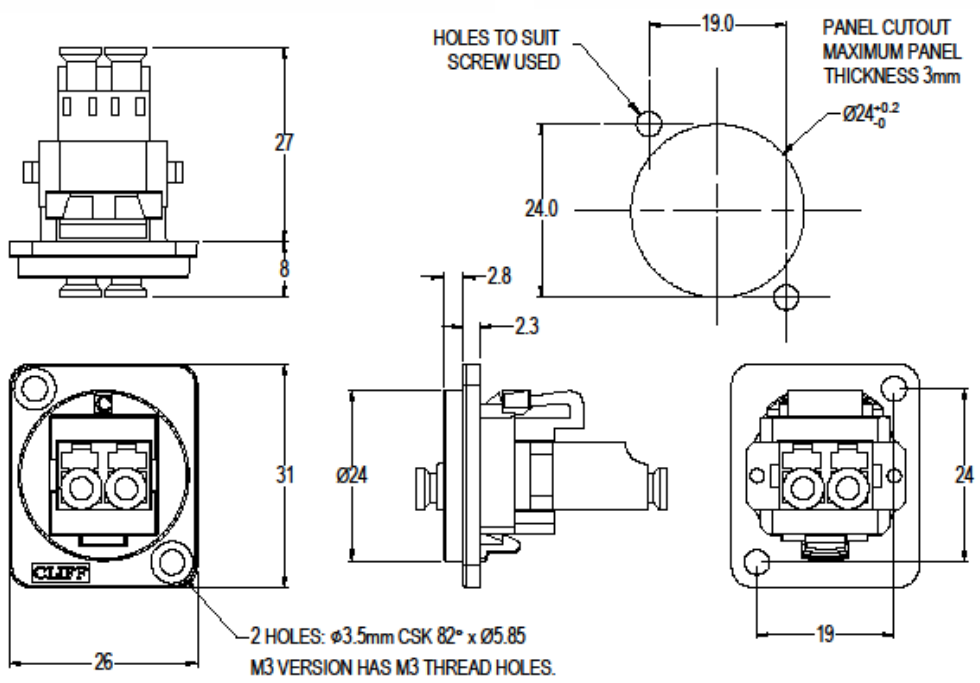


Datasheet

RS PRO METAL LC DUPLEX SM M3 FEEDTHROUGH CONNECTOR

Stock No: 2035585, 2035584



Materials:

1. Coupler Body: PEI
2. Frame: Nickel or black plated zinc diecast
3. Sleeve: Ceramic
4. Dust Cover: PE
5. Insert: ABS/PC

Notes:

1. Insertion Loss: ≤ 0.3 dB

Features & Benefits:

- Fits standard XLR Ø24mm cutout.
- No soldering or punch termination. Use standard cable for each connector style.
- Front or rear mounted.
- Low rear profile

General:

Please note: Functionality is affected by cable quality, length and cable wiring configuration.

Other models available:

Part No.

- | | |
|----------------|---|
| 8741207 | LC Duplex SM Black plastic frame, CSK holes |
| 9075634 | LC Duplex SM Nickel plated metal frame, CSK holes |
| 9160233 | LC Duplex SM Black metal frame, CSK holes |



rspro.com

