

DATA SHEET

RS ESSENTIALS SPEAKER

RS Stock Code: 7564592

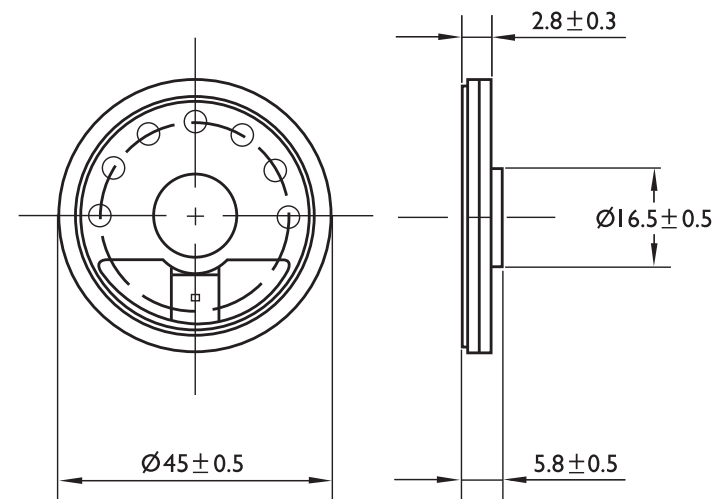
Specifications

Rated impedance	32±15%Ω
Nominal power	0.25W
Maximum power	0.5W
Resonant frequency	500±25Hz
Frequency range	F 0-5,500Hz
Sound output level at 0.5W/0.5m and 0.1W/0.1m	85±3dB/92±3dB
Magnet material	Nd-Fe-B
Magnet size	ø12.5x1.5mm
Operating temperature	-20~+60°C
Storage temperature	-30~+70°C
Weight	12g
Note	Solder to outside solder points

Features

- ROHS compliant
- Small, low profile
- Cone material: Mylar
- Housing material: Metal

All data at 25°C unless otherwise specified



Dimensions Unit: mm

7564592 SPEAKER - Frequency Curve

SPEAKERS

0.1W/0.1m 2.8V

