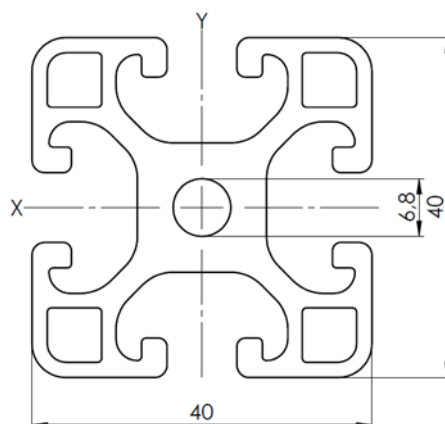
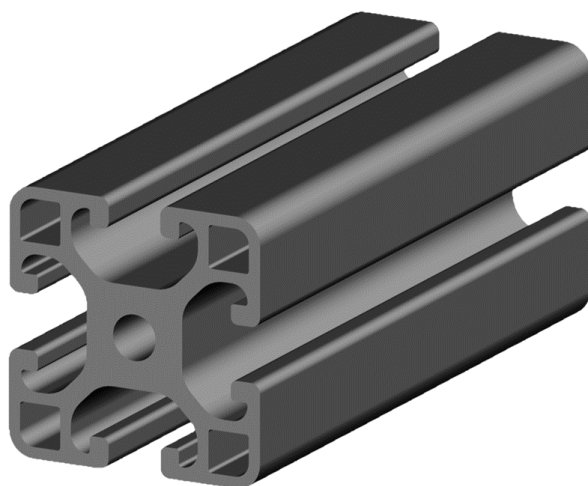


Datasheet

# Profile 8 40x40 light, black

RS Article no.:



Product description			
Profile	40mm x 40mm		
Slot size	8mm		
Profile length	3000mm		
No. of slots	4		
Material	Anodized Aluminium		
Technical data			
Moment of inertia	$I_x$	9,18	cm <sup>4</sup>
	$I_y$	9,18	cm <sup>4</sup>
Section modulus	$W_x$	4,59	cm <sup>3</sup>
	$W_y$	4,59	cm <sup>3</sup>
Mass	G	1,75	kg/m
EN AW - 6063 T6	DIN EN 573		
Tolerances	DIN EN 12020-2		
Anodizing process	E6 C35		
<b>RS Article no.</b>	<b>3000mm</b>		