

## FEATURES

- Tubular MCC indicator light
- BA9s base
- 3,000 hours life
- Luminosity of 4.5lm
- Voltage rating of 130V
- Current rating of 20mA
- Length of 28mm
- Diameter of 10mm
- Clear light
- Conforms to ANSI/ESD S20.20:2014 and BS EN 61340-5-1:200 on electrostatic discharge

## BA9s Indicator Light, Clear, 130 V, 20 mA, 3000h

RS Stock No.: 360-7878



RS Professionally Approved Products bring to you professional quality parts across all product categories. Our product range has been tested by engineers and provides a comparable quality to the leading brands without paying a premium price.

## Product Description

A tubular MCC lamp is suitable for a variety of applications in the automotive and gambling machine industries as well as on instrumentation panels. Using a clear incandescent bulb, this indicator light from the RS PRO range offers 3,000 h of life while providing a luminosity of 4.5 lm. It has a voltage rating of 130 V and a current rating of 20 mA.

## General Specifications

<b>Lamp Base</b>	Ba9s
<b>Lamp Size</b>	T10
<b>Lens Colour</b>	Clear
<b>Luminosity</b>	4.53lm
<b>Life hours</b>	3000h
<b>Filament Type</b>	C-5A/Vacuum Type
<b>Housing Material</b>	Glass
<b>Applications</b>	Automotive industry; Gambling machine industry; Car indicator; Garden lights; Paper lanterns; Battery-powered flashlights

## Electrical Specifications

<b>Voltage Rating</b>	130V
<b>Current Rating</b>	20mA+10%
<b>MSCP</b>	0.36CP±20%
<b>Light Output</b>	4.53lm

## Mechanical Specifications

<b>Diameter</b>	10mm ±1mm
<b>Length</b>	28mm ±2mm

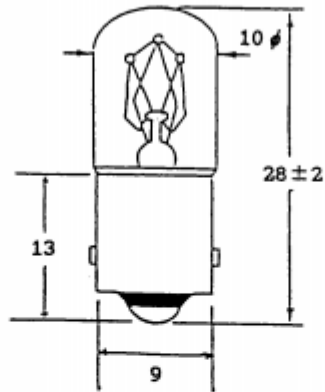
## Approvals

### Compliance/Certifications

RoHS, ANSI/ESD S20.20:2014, BS EN 61340-5-1:200



*DRAWING - I*



Unit : mm

1. Structure	Bulb Diameter	10 ± 1mm
	Length	28 ± 2mm
	Base Type	Ba9s/13
2. Design Characteristics	Voltage	130V
	Amperage	20mA ± 10%
	Filament Type	C-5A
		Vacuum type
	MSCP	0.36 CP ± 20%
Life Hours	3000 Hrs	