



GreenUp Highbay G2

BY560X LED160/CW ACW2 IS HRO

GreenUp Highbay G2, 120 W, 16000 lm, 6500 K, DALI, 45° x 90°

Height is not an issue any more, maximum 16m movement detection together with the wireless ZigBee control, GreenUp HighBay G2, light up your space smartly.

Warnings and Safety

- The product is IPX0 & as such is not protected against water ingress & as such we strongly recommend that the environment in which the luminaire is to be installed is suitably checked
- If the above advice is not taken and the luminaires are subject to water ingress, Philips / Signify cannot guarantee safe failure & product warranty will become void

Product data

General Information	
Light source replaceable	No
Number of gear units	1 unit
Driver included	Yes
Light source engine type	LED
CE mark	CE mark
Warranty period	3 years
Flammability mark	For mounting on normally flammable surfaces
ENEC mark	-
Glow-wire test	Temperature 650 °C, duration 5 s
Light Technical	
Luminous Flux	16,000 lm
Correlated Color Temperature (Nom)	6500 K
Luminous Efficacy (rated) (Nom)	133 lm/W
Color rendering index (CRI)	>80

Beam angle of light source	- degree(s)
Light source color	865 cool daylight
Optic type	High-rack optic
Optical cover type	Linear-lens array in polycarbonate cover
Luminaire light beam spread	45° x 90°
Operating and Electrical	
Input Voltage	220 to 240 V
Line Frequency	50 to 60 Hz
Inrush current	5.1 A
Inrush time	760 ms
Power Consumption	120 W
Power Factor (Fraction)	0.95
Connection	Flying leads/wires
Cable	Cable 1.5 m without plug

GreenUp Highway G2

Number of products on MCB of 16 A type	24
B	
Temperature	
Ambient temperature range	-20 to +45 °C
Controls and Dimming	
Dimmable	Wireless Dim
Driver/power unit/transformer	Power supply unit with DALI interface
Control interface	DALI
Constant light output	No
Mechanical and Housing	
Housing Material	Aluminum extruded
Reflector material	-
Optic material	Polycarbonate
Optical cover material	Polycarbonate
Fixation material	-
Housing Color	Aluminum and white
Optical cover finish	Clear
Overall length	550 mm
Overall width	280 mm
Approval and Application	
Ingress protection code	IP40 [Wire-protected]
Mech. impact protection code	IK03 [0.3 J]
Protection class IEC	Safety class I

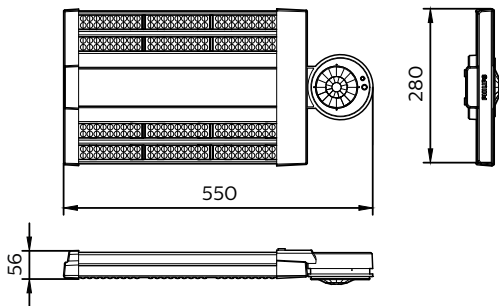
Initial Performance (IEC Compliant)	
Luminous flux tolerance	+/-10%
Initial chromaticity	(0.313.0.324)SDCM-5
Power consumption tolerance	+/-10%

Over Time Performance (IEC Compliant)	
Driver failure rate at 5000 h	0.01 %
Median useful life L70B50	65,000 hour(s)
Median useful life L80B50	45,000 hour(s)
Median useful life L90B50	25,000 hour(s)

Application Conditions	
Maximum dim level	1%
Suitable for random switching	Yes

Product Data	
Order product name	BY560X LED160/CW ACW2 IS HRO
Full product name	BY560X LED160/CW ACW2 IS HRO
Full product code	911401521551
Order code	911401521551
Material Nr. (12NC)	911401521551
Numerator - Quantity Per Pack	1
Numerator - Packs per outer box	2

Dimensional drawing



GreenUp Highbay G2

