



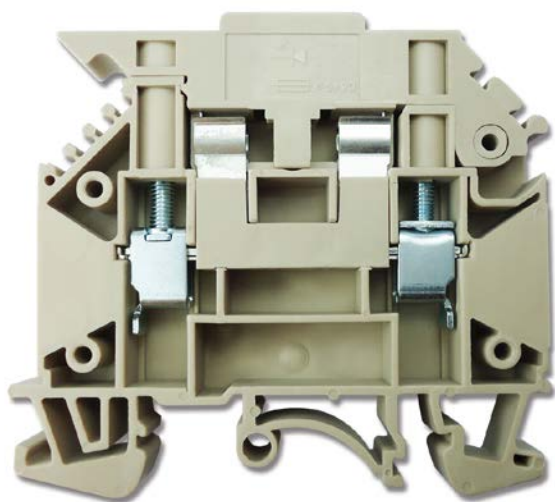
ENGLISH

Product Datasheet

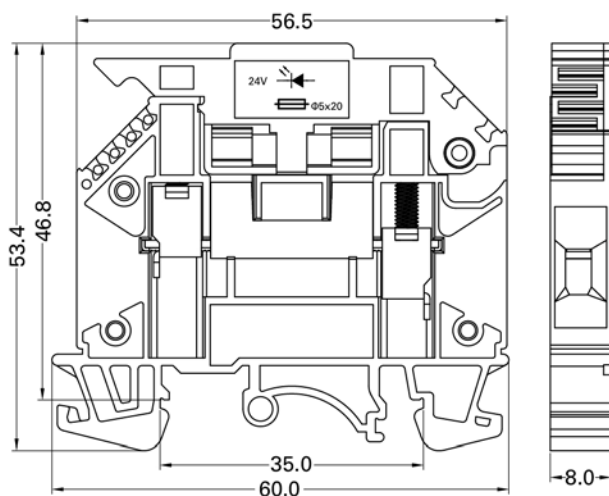
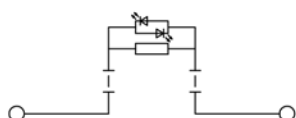
Screw Disconnect, 24V LED

Screw Clamp Fuse Disconnect Terminal Blocks with a lever action $\varnothing 5 \times 20$ mm fuse carrier, 7.5A, 600V, 24V LED, 22-10 AWG, 0.5-4 sq.mm

878-7597






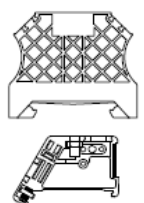
Dimensions in mm



RoHS
Compliant

C US

Product Specifications:

Specifications	4mm ²
Technical Date	Rated voltage / Rated current / Wire size
UL	24V / 7.5A / AWG 22-10
CSA	24V / 7.5A / AWG 22-10
IEC	24V / 10A / 0.5-4mm ²
Insulating impulse voltage withstand/pollution degree	6KV / 3
Torque (in -lbs)	7.7
Clamping Screw (M)	M3
Insulation stripping length (mm)	10~12 mm
Net weight per piece	15.1 g
Material / Available Color (Standard Color: Beige)	 Red Orange Beige Blue Grey White Black
Rail Dimensions	T / W / H (mm)
For TS35x7.5 	8 x 60 x 54.5
For TS35x15 	8 x 60 x 54.5
Accessories	Cat. No.
End Bracket 	8787553
	8787556