



ENGLISH

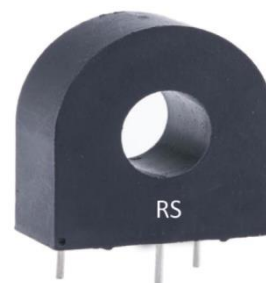
# Datasheet

Stock No: 173-0238

# RS Pro

## High Accuracy Current Transformers

- 1% Accuracy
- Operating Frequency 50/60Hz
- Fully ROHS & REACH Compliance
- All Materials UL94-V0
- Operating temperature range -40 to +85°C



### Electrical Specifications @ 20°C ambient

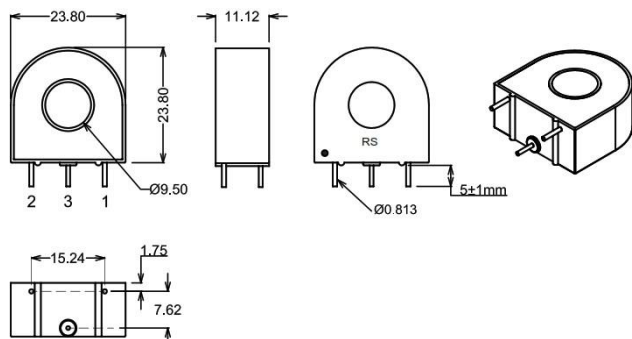
Primary Current	50A
Turns Ratio	2500:1 nominal
Rated Burden Resistance	33Ω
DC Resistance	171 Ω
Dielectric Withstanding Voltage (Hi-pot)	4KVrms

#### Notes:

- 1) Pin 3: Normally for mechanical support only
- 3) Tolerance  $\pm 0.20\text{mm}$



### Mechanical Dimensions



### Response Curve

ACX-1050

