



Datasheet

RS PRO Foot Dia 20mm x H 15mm

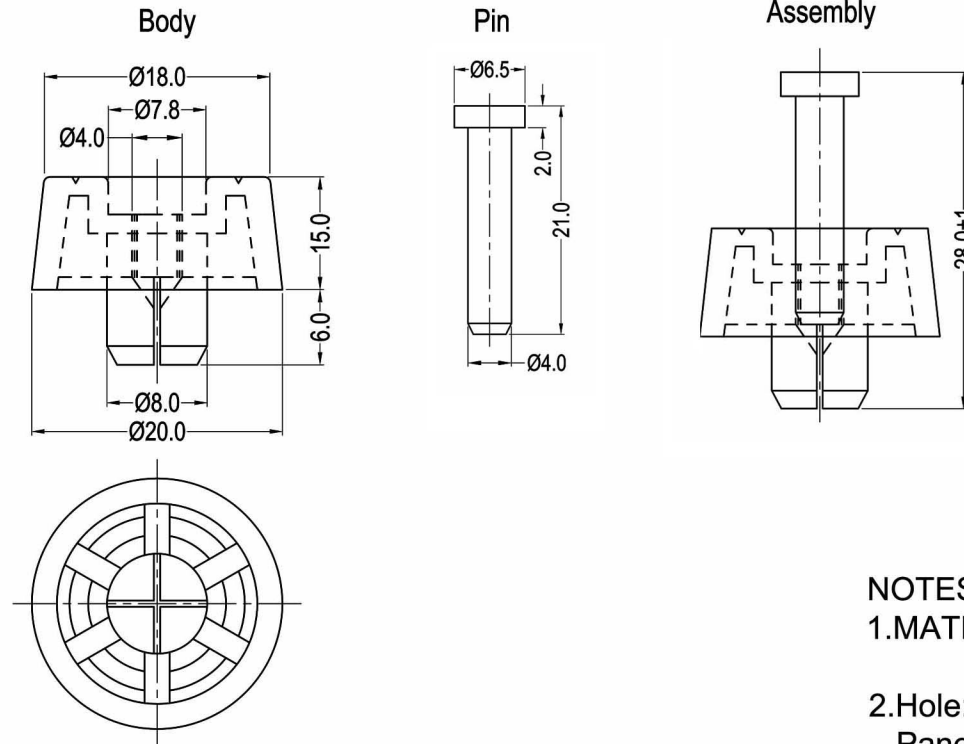
Stock number: 172-0869

EN



DIMENSIONS	TOLERANCE
<4mm	±0.15
4mm~15mm	±0.20
15mm~30mm	±0.30
30mm~50mm	±0.50
50mm~100mm	±1.00

REVISIONS			
REV	DESCRIPTION	DATE	BY
01	NEW DRAWING	2015-9-16	Jack Xu



NOTES:

- MATERIAL: TPV UL94 HB(Body)
PP UL94 HB(Pin)
- Hole: Ø7.9~8.0mm
Panel Thickness: 0.8~1.5mm

Unit:mm

SCALE	2:1	PART NAME	Soft Fast Foot
COLOR	BLACK	PART NO.	172-0869
DRAWN	ALEX	MATERIAL	SEE NOTES
CHECK	JACK	DRAWING NO.	KS180712-8
APPROVED	FRED	DRAWING DATE	2015-9-16