

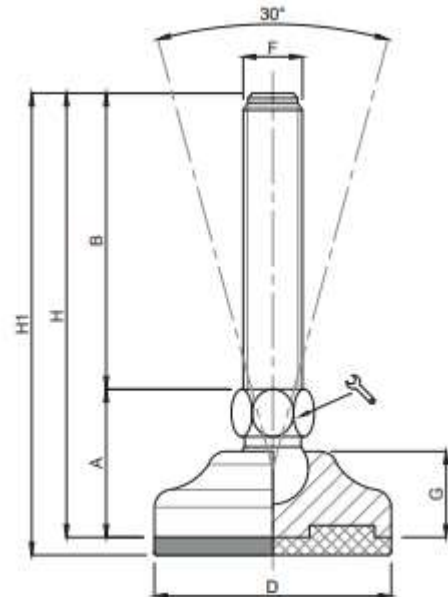


ENGLISH

## RS PRO Stainless Steel Height Adjustable Mounts

The RS Pro Height Adjustable mounts are used for levelling and support in many applications including lathes, milling machines, machining centers and conveyor systems.

The base rubber is made of oil resistant NBR, with a Stainless Steel Stud.



Article Number	A (mm)	B (mm)	D (mm)	F	G (mm)	H (mm)	Static Load (kg)	Metal Type	Articulation (Degrees)
2245815	28	150	50	M12	16	178	1500	Stainless Steel 304	30