



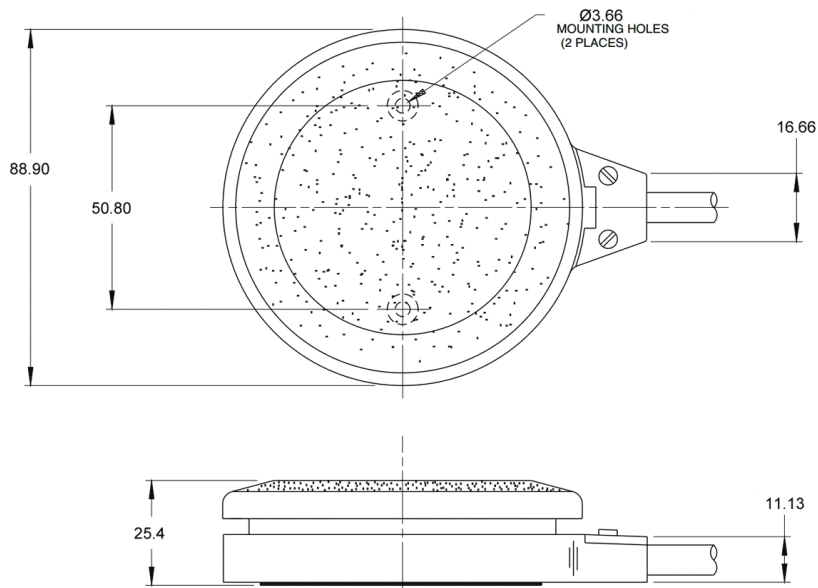
Datasheet

Moulded Circular Foot Switch

RS Stock No. 116-697



Degree of protection	IP68
Materials of Construction	High impact polymeric compound.
Colour	Black.
Cable Connection	2.5M of 18/2 cable without plug.
Contact Action	SPST Momentary wired N/O
Electrical Rating	5A resistive 125V a.c. 28V d.c., 3A general purpose 125V a.c.
Features & Benefits	Actuation from any direction. Low profile to reduce operator fatigue. Mounting holes provided to mount on floor or equipment.
Weight	0.25kg
Size	(See below)



Revision 1