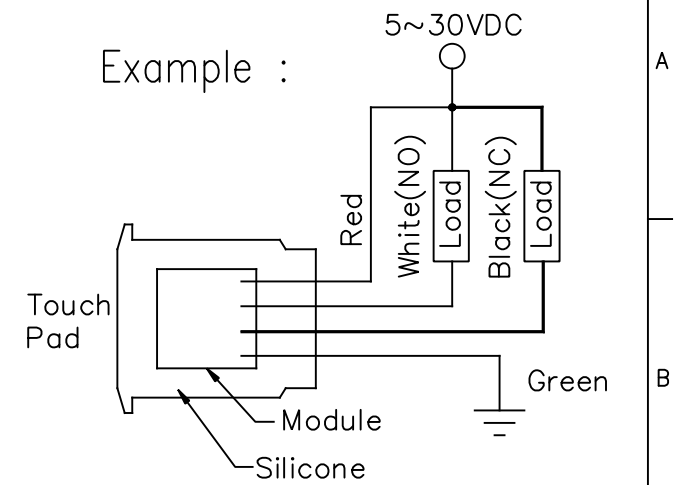
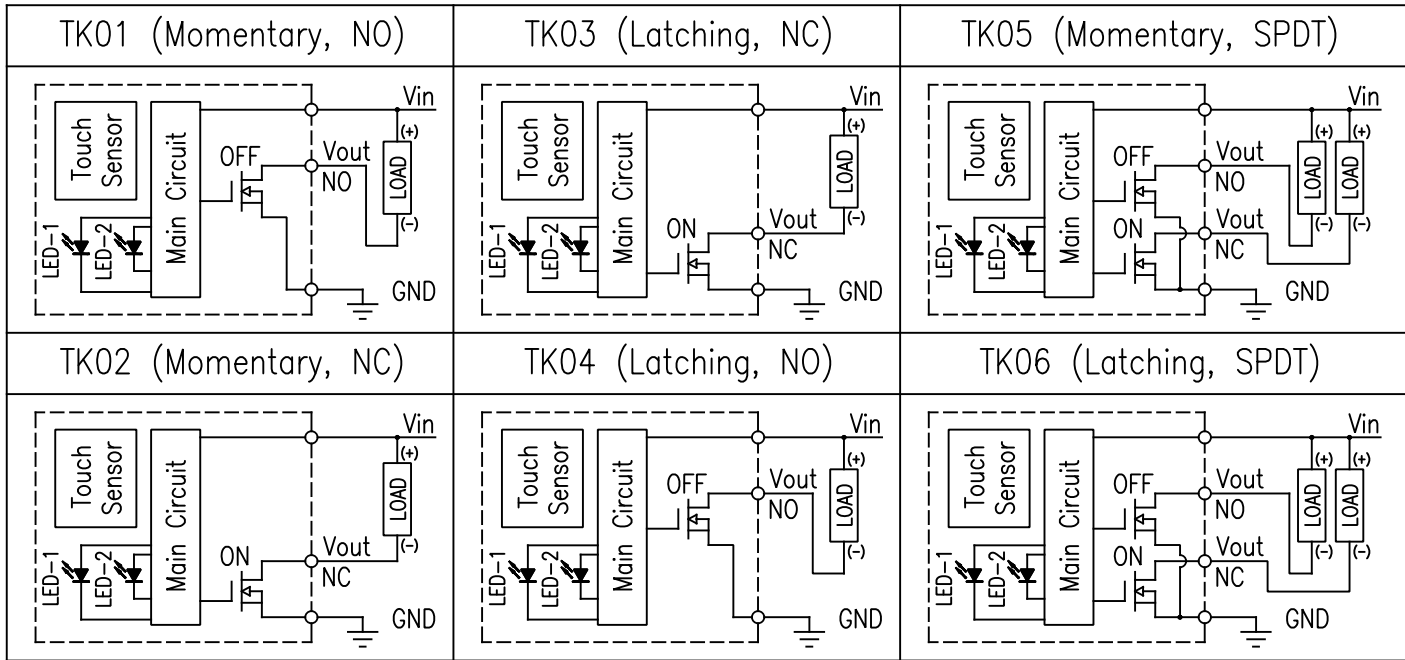
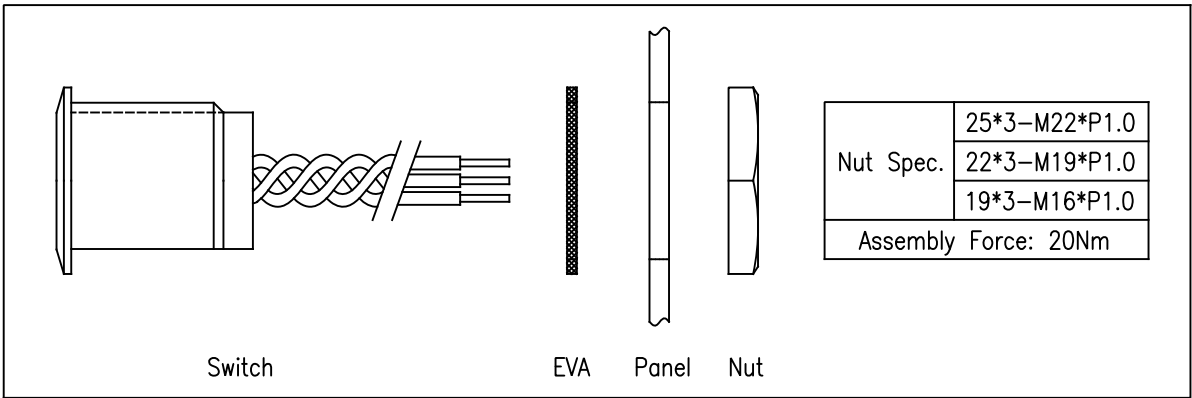


REV. 更改	DESCRIPTION 說明	ENG. 修改人	APPROVE 審核



Cable Position		Power	Load(NO)	Load(NC)
Vin	Red	Vin	Load(+)	Load(+)
Vout(NO)	White		Load(-)	
Vout(NC)	Black			Load(-)
GND	Green	GND		

Part NO.	LED-1/LED-2	Part NO.	LED-1/LED-2
NR	NA / Red	NN	NA / NA
NG	NA / Green		
NB	NA / Blue	RG	Red / Green
NY	NA / Yellow	RB	Red / Blue
NW	NA / White	GB	Green / Blue
RN	Red / NA	YW	Yellow / White
GN	Green / NA	GR	Green / Red
BN	Blue / NA	BR	Blue / Red
YN	Yellow / NA	BG	Blue / Green
WN	White / NA	WY	White / Yellow



UNLESS OTHERWISE SPECIFIED DIMENSIONS ARE IN MILLIMETERS ANGULAR TOLERANCE: ±1.0°		USED 用途	TK Series	APPD. 審核	Amy 2015/09/10
DIMENSIONS		FINISH 處理		CHKD. 校對	Will 2015/09/10
0.00 TO 10.00mm	±0.05mm	SCALE	1 / 1	DR. 製圖	Will 2015/09/10
10.01 TO 20.00mm	±0.08mm	UNIT	inch		
20.01 TO 30.00mm	±0.10mm	單位	[mm]		
30.01 ↑	±0.15mm	TITLE 名稱	Touch Key Switch Spec.		
MATERIAL		DWG NO. 圖號		SIZE 圖紙	A4
FILE NAME 檔案名稱			SHEET 張	REV. 更改	06