

## Datasheet

# 80dB Round PCB Mount Buzzer

RS Stock number [617-3081](#)

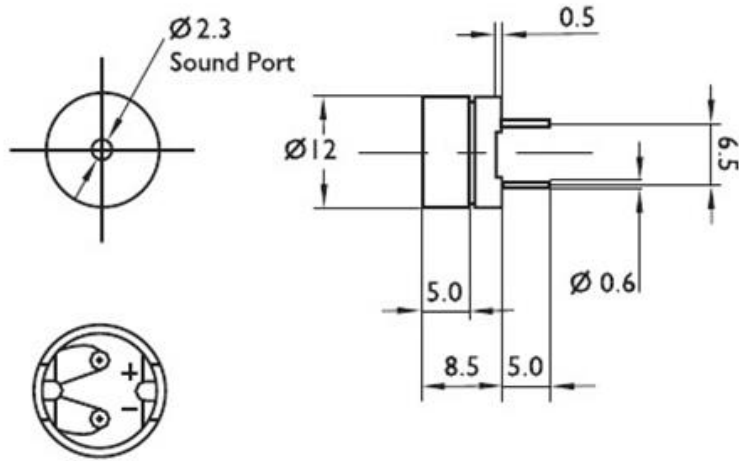


### Specifications:

Rated Voltage (Vp-p square wave):	1.5Vp-p
Operating Voltage:	1-3Vp-p
Rated Current at Rated Voltage:	≤15mA
Sound Output at 2048Hz at 10cm:	≥80dB
Resonant Frequency:	2048Hz
Coil Resistance	42±6Ω
Coil Impedance at 2048Hz	120Ω
Operating Temperature:	-20°C to 70°C
Storage Temperature:	-30°C to +80°C
Weight:	2g
Drive Type:	External
Mounting Type:	Through Hole

Please note, this product requires additional electronic circuitry to operate as a sounder. It is not wave solderable.

Dimensions:



Dimensions Unit: mm

Tolerance:  $\pm 0.5\text{mm}$