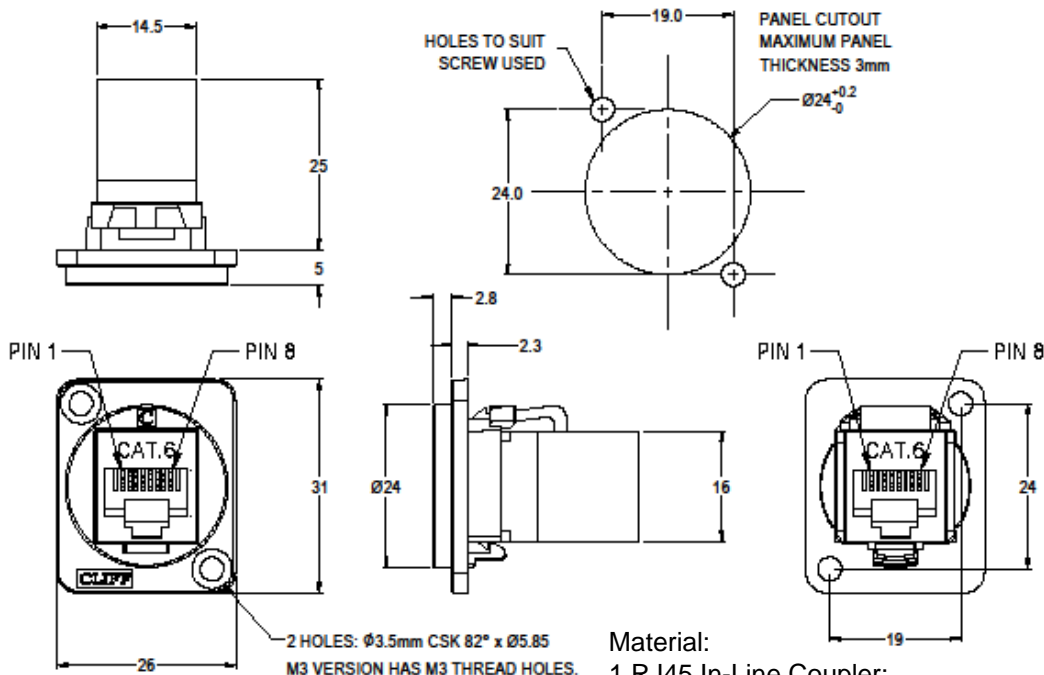


Datasheet

RS PRO CAT6 RJ45 METAL M3 FEEDTHROUGH CONNECTOR

Stock No: 2035598, 2035599



Performance:

- a. T568A & T568B wiring.
- b. Meet ISO/IEC 11801 and EN50173
- c. Meet ANSI/TIA/EIA 568B.2

Material:

- 1. RJ45 In-Line Coupler: PC/ABS, UL 94V-0, Black colour
- 2. RJ45 In-Line Coupler Contact: Phosphor Bronze, 3-50 micro inches gold plating over nickel plate.
- 3. PCB: FR4, UL 94V-0
- 4. Frame: Nickel or black plated zinc diecast

Features & Benefits:

- Fits standard XLR Ø24mm cutout.
- No soldering or punch termination. Use standard cable for each connector style.
- Front or rear mounted.
- Low rear profile

General:

Please note: Functionality is affected by cable quality, length and cable wiring configuration.

Other models available:

Part No.

8741223	Cat6 RJ45 Black plastic frame, CSK holes
9075665	Cat6 RJ45 Nickel plated metal frame, CSK holes
9160255	Cat6 RJ45 Black metal frame, CSK holes
8741276	Cat6 RJ45 Black plastic frame, PLAIN holes



rspro.com

