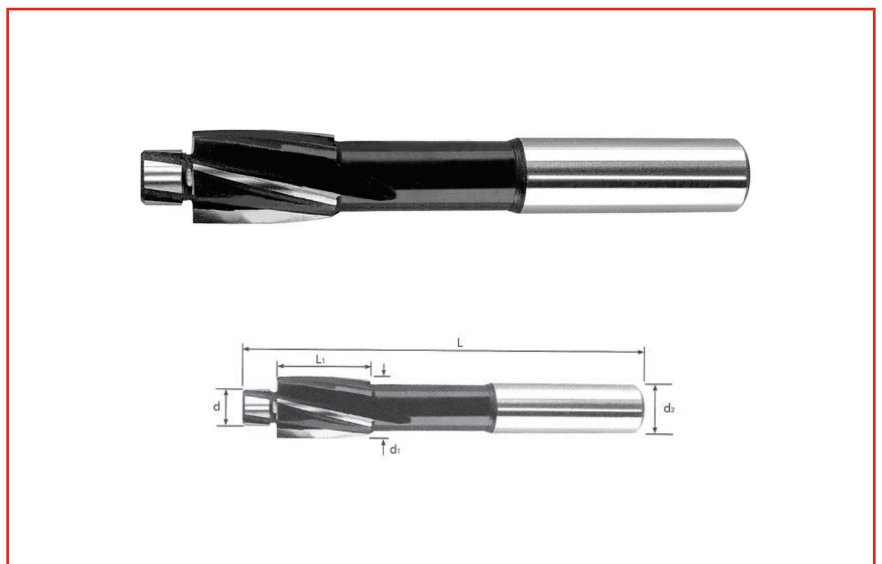


Datasheet

RS PRO HSS Counterbores

RS Stock No: 131-870



Specifications:

3 Flute Straight Shank Counterbores

Used to produce recessed holes for cap head screws

Material: High Speed Steel

DIN 373

Screw Size	d1 (mm)	d2 (mm)	d (mm)	L	L1
M6	11	8	6.6	80	18

Order Code	Description
131-870	HSS Counterbore M6