

Datasheet

**RS Pro Maximum of 30 V ac 88dB sound Panel Mount
Continuous External Piezo Buzzer, Maximum of 6000 Hz**
RS Stock No: **535-8045**



Product Details

RS Pro external piezo buzzer operates at voltages up to 30 V ac. This continuous buzzer delivers 88 dB sound at frequencies up to 6000 Hz. It is suitable for applications that require high sound output.

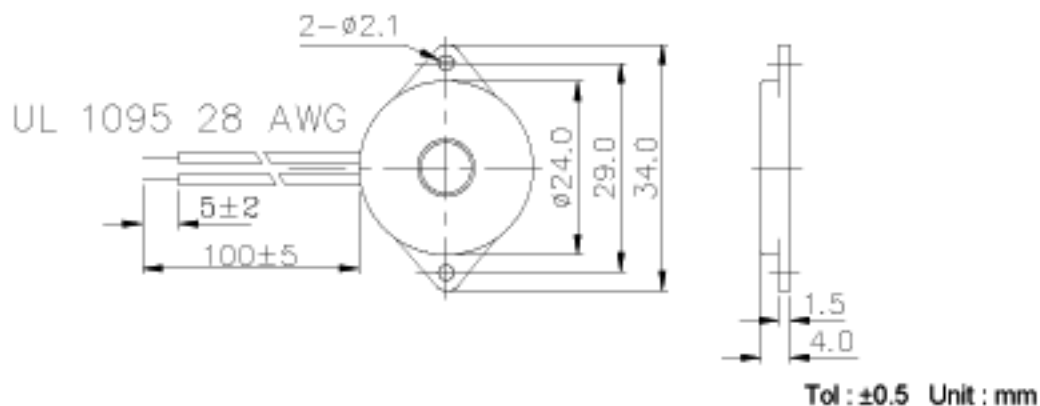
Features and Benefits

- Circular cased Flanged mounting transducer
- Flying lead connections
- High sound output
- External circuitry required for operation

**Specifications:**

Drive Type	External
Mounting Type	Panel Mount
Tone Type	Continuous
Diameter	24 mm
Dimensions	24 (dia.) x 34 x 4 mm
Height	4 mm
Length	34 mm
Maximum Frequency	6000 Hz
Maximum Operating Temperature	+85°C
Maximum Supply Voltage	30 V dc
Minimum Operating Temperature	-30°C
Sound Level	88 dB
Supply Current	8 mA

Dimension



Characteristic

