

# Activator

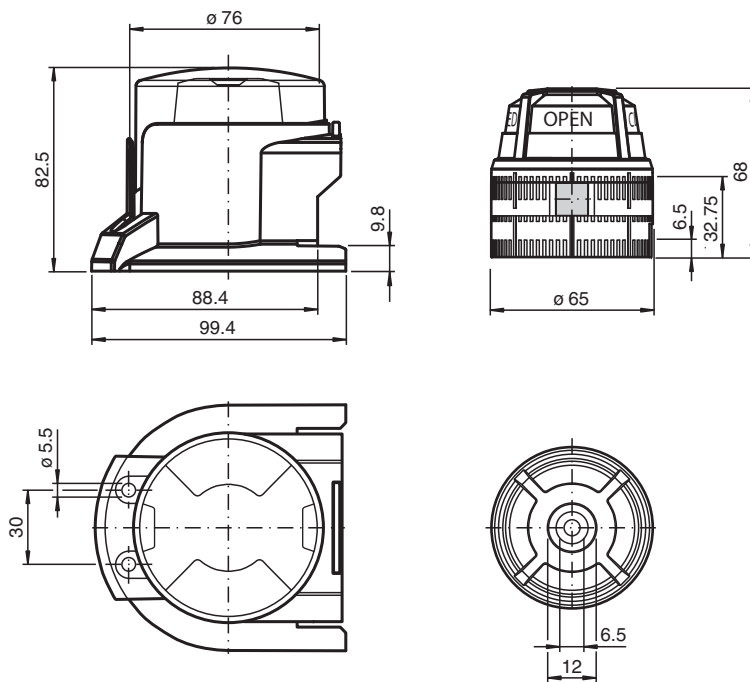
## BT65-F31K2-RG-EN-01



- High-visibility valve position display
- Protection against contamination and damage
- Two actuation targets in two levels with 5° setting grid
- Suitable for right and left rotating drives

Activator for F31K2 series including protective housing

### Dimensions



### Technical Data

#### General specifications

Ring diameter	max. 65 mm
Spring ring height	max. 6 mm

#### Nominal ratings

Valve status indicator	red = CLOSED green = OPEN
------------------------	------------------------------

#### Compliance with standards and directives

Standard conformity	
Standards	VDI / VDE 3845

Release date: 2020-06-30 Date of issue: 2020-06-30 Filename: 271014\_eng.pdf

Refer to "General Notes Relating to Pepperl+Fuchs Product Information".

Pepperl+Fuchs Group  
www.pepperl-fuchs.com

USA: +1 330 486 0001  
fa-info@us.pepperl-fuchs.com

Germany: +49 621 776 1111  
fa-info@de.pepperl-fuchs.com

Singapore: +65 6779 9091  
fa-info@sg.pepperl-fuchs.com

**PF** PEPPERL+FUCHS

## Technical Data

### Ambient conditions

Ambient temperature -40 ... 75 °C (-40 ... 167 °F)

### Mechanical specifications

Shaft diameter ≤ 49 mm

Shaft height 20 mm and 30 mm

Mounting hole pattern 30 x 80 mm

#### Material

Housing PC

Actuator PA

Spacer disk PA (1 unit, 10 mm strong)

Mounting screw Stainless steel 1.4401 / AISI 316

Activation target Stainless steel 1.4305 / AISI 303 (integrated)

### General information

Scope of delivery  
 1 screw M6 x 30  
 1 screw M6 x 40  
 1 Activator for F31K2 series  
 1 Distance disc  
 1 Protective cover  
 Fixing screws

## Function

The activator consists of a conductive plastic material which prevents static charging and allows installation in potentially explosive environments.